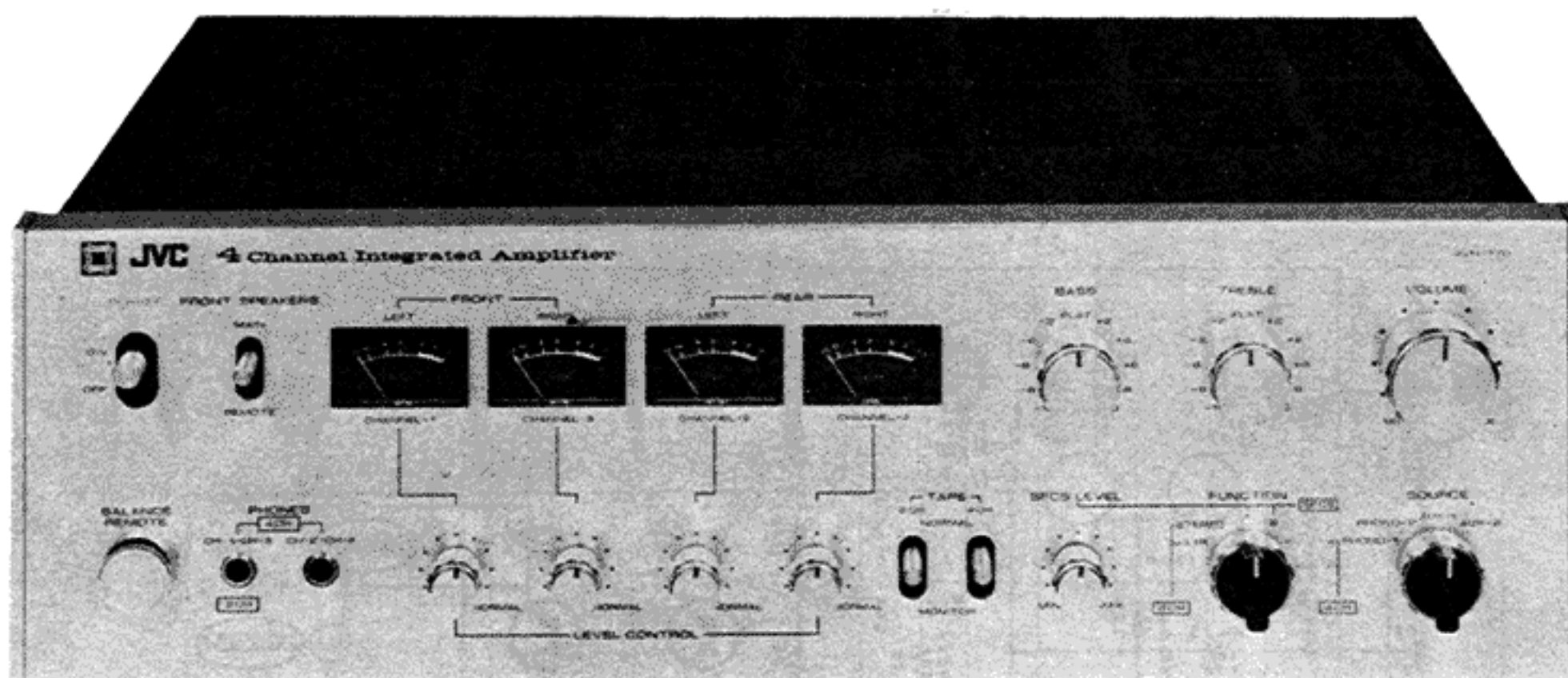


SERVICE MANUAL



MODEL 4VN-770

SOLID STATE 4-CHANNEL INTEGRATED AMPLIFIER

DIMENSIONS: Height 5½", Width 16½", Depth 12", Weight 21.4lbs.

SPECIFICATIONS

POWER AMPLIFIER SECTION (OCL Pure Complimentary Circuit)

Total Dynamic Power (IHF):	100W (25W+25W+25W+25W) at 4Ω Load 64W (16W+16W+16W+16W) at 8Ω Load 100W (50W+50W) at BTL 8Ω Load
R.M.S. Continuous Power:	12.5W (Per Channel at 8Ω Load in each 4-channel) 30W (Per Channel at 8Ω Load in each BTL 2-channel)
Total Harmonic Distortion:	0.5% (at Rated Output)
Intermodulation Distortion:	0.8% (at Rated Output)
Power Bandwidth:	10~30 kHz (IHF)
Frequency Response:	18~40kHz (±1 dB)
Damping Factor:	50 at 8Ω Load
Load Impedance:	4~16Ω (B.T.L. 8~16Ω)

PRE AMPLIFIER SECTION (2 Stage Direct Coupled Equalizer)

Total Harmonic Distortion:	0.05% (at 1 volt Pre Amp. Output)
Frequency Response:	20~40kHz
S/N Ratio:	Phono 65 dB Aux 75 dB Tape 75 dB
Input Sensitivity:	Phono 2.5 mV Aux 75 mV Tape 75 mV
Recording Output:	100 mV (DIN: 30 mV)

ADJUSTMENT (for TAD-95J Power Amp. Section and TAC-177J Protector Section)

1. CENTER VOLTAGE TEST

Connect probe of DC. V.T.V.M. to positive pole of Speaker Terminal. And connect ground or earth lead of V.T.V.M. to Speaker Earth Terminal or Chassis.

And turn to Power Switch On. V.T.V.M. should read 0 volt. If V.T.V.M. read no 0 volt adjust the VR. (R437, R438, R439, R440) for V.T.V.M. read in 0 volt.

Note: Set the VR (R437~R440) at middle position before switch on.

2. IDLING CURRENT TEST

Connect DC. V.T.V.M. to the check point of Resistor (R485, R486, R487, R488) at both ends.

And V.T.V.M. should read 10 mv. If V.T.V.M. doesn't read 10 mv, adjust the VR (R453, R454, R455, R456) deliberately for V.T.V.M. read in 10 mv. (Idling Current: 20 mA)

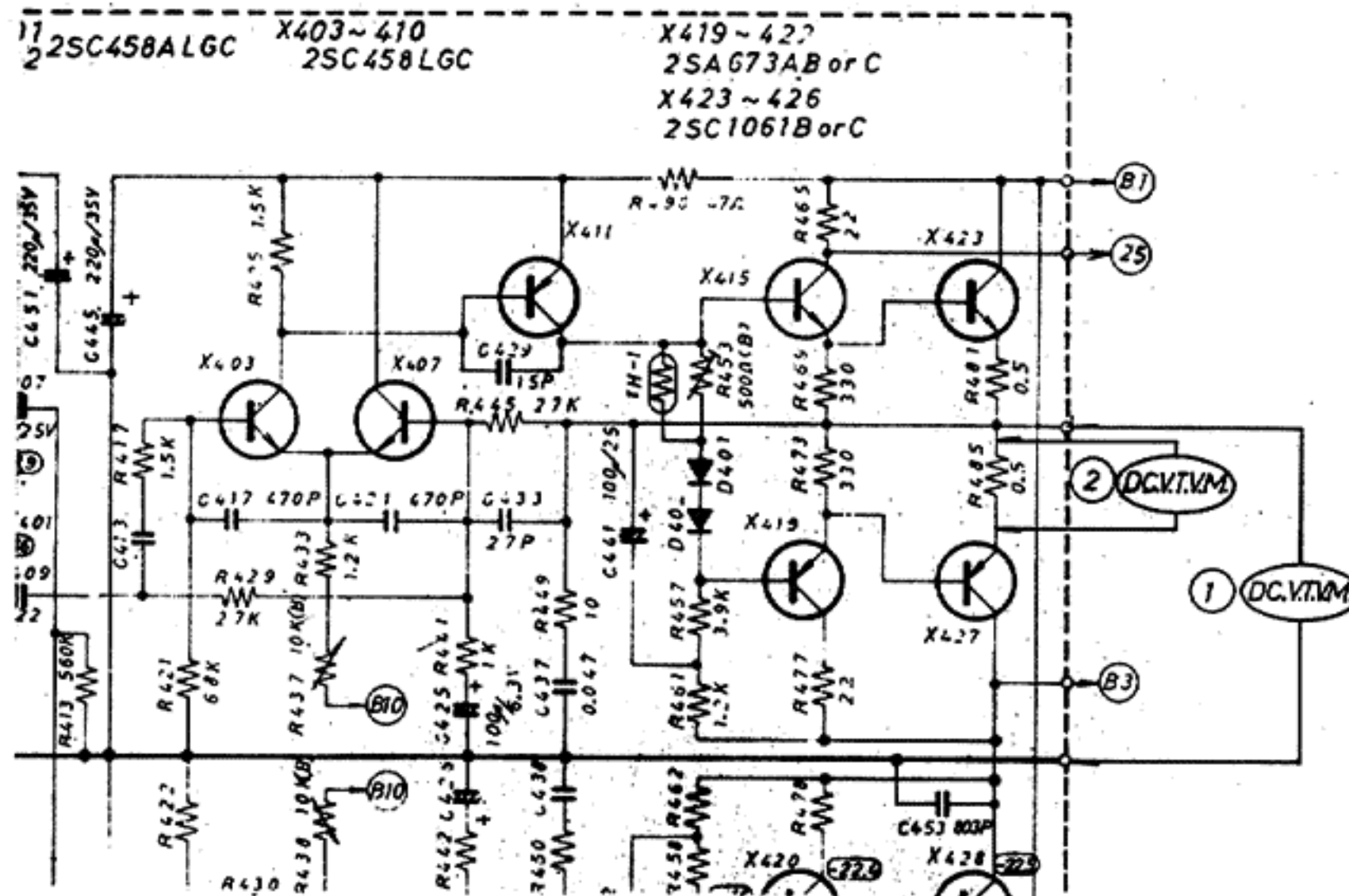


Fig. 3

3. PROTECTOR ADJUSTMENT

The protector circuit doesn't operate at 4Ω load, 7.5 volt (14 watt) output. (All channels are driven.)

Adjust the R522 in order to activate the protector circuit by grounding the speaker terminals when the out put is 2 volt at 8Ω load.

And adjust R514 in order to activate the protector circuit by applying DC 0.25 volt to point A.

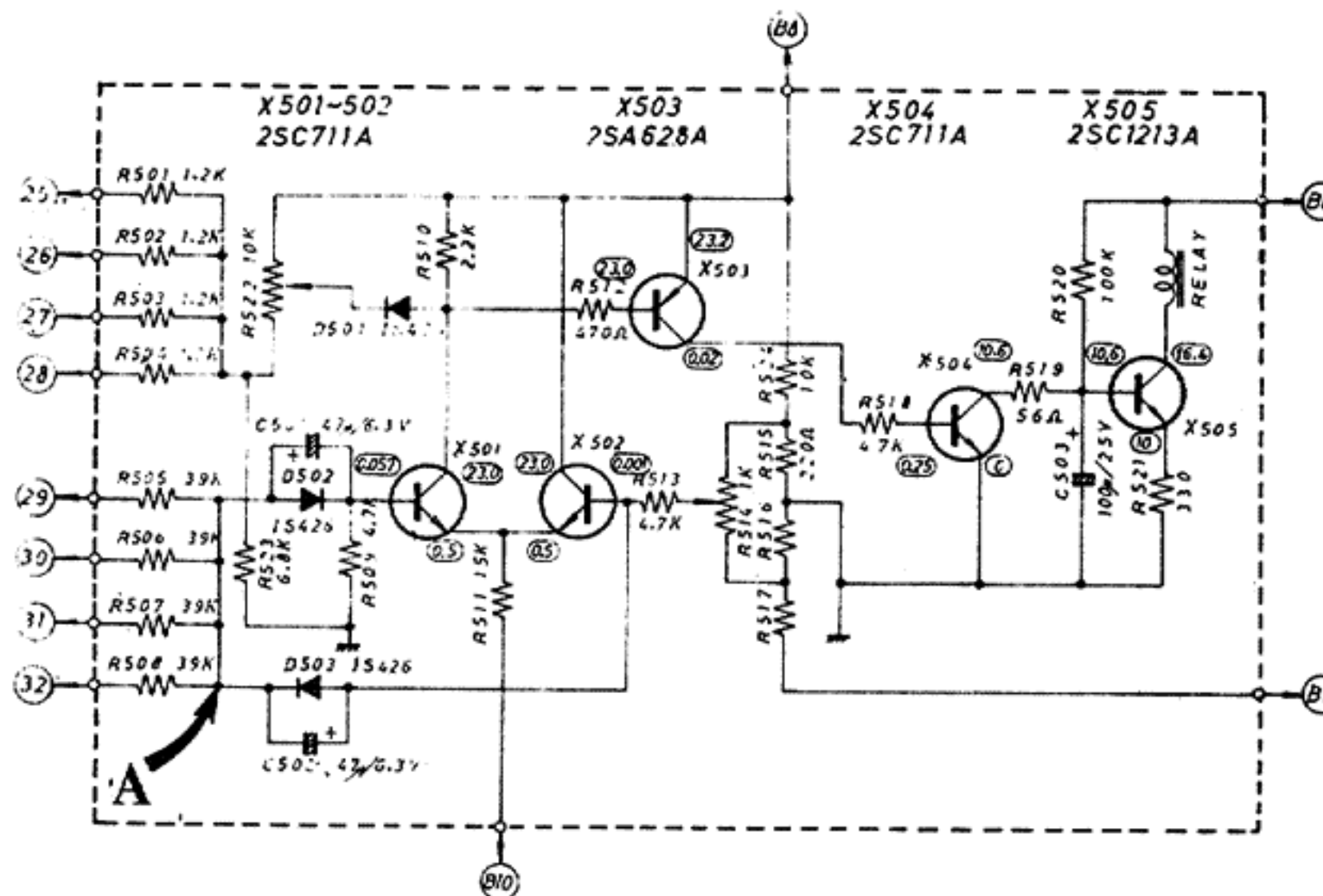


Fig. 2

PARTS ARRANGEMENT

· FRONT VIEW

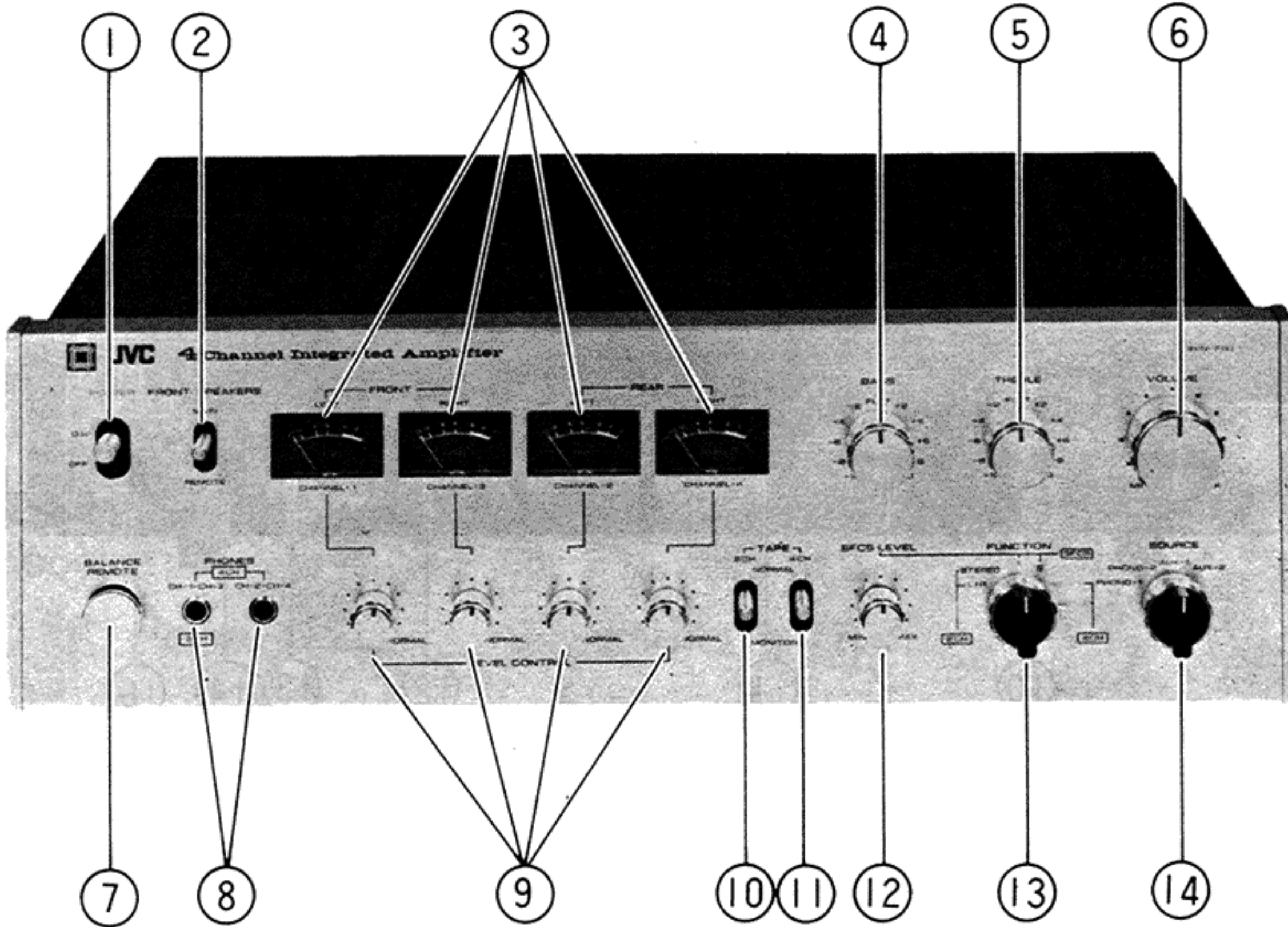


Fig. 4

Ill No.	Parts No.	Parts Name	Description
1	QSL1135-007	Lever Switch	Power Switch
2	QSL4235-003	//	Front Speaker Selector
3	E03176-007	Meter	Level Meter
4	E46022-005	Knob	Bass Tone Control
5	E46022-005	//	Treble Tone Control
6	E46020-009	//	Volume
7	E46642-005	B. Remote Cap Ass'y	Balance Remote Cap
8	Q03963-001	Head Phone Jack	Head Phones
9	E46025-003	Knob	Level Control Volume
10	QSL2235-005	Lever Switch	2-Ch. Tape Monitor
11	QSL8235-004	//	4-Ch. Tape Monitor
12	E46025-003	Knob	SFCS Level volume
13	E46021-004	//	Function Selector
14	E46021-004	//	Source Selector

REAR VIEW

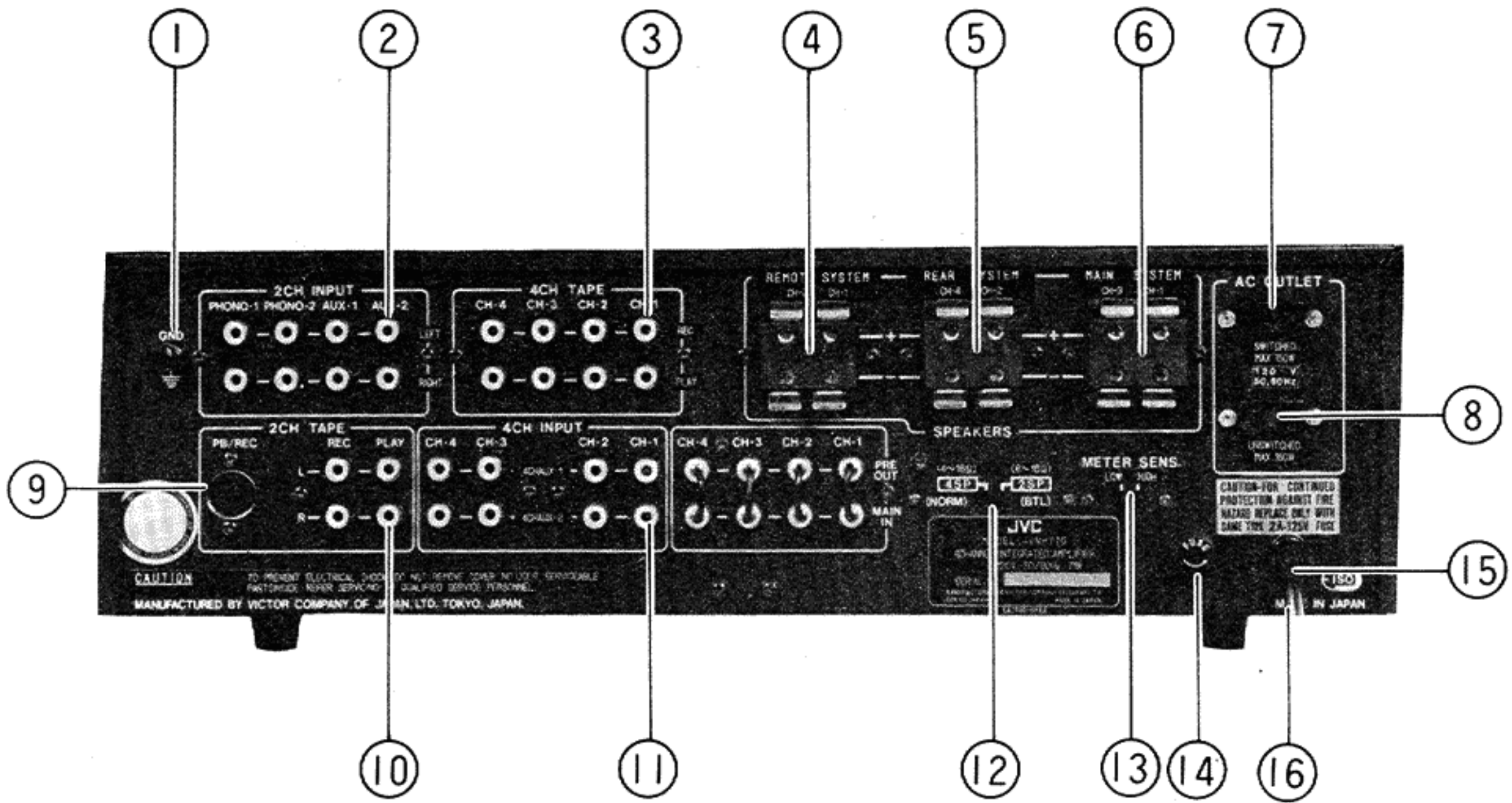


Fig. 5

I'll No.	Parts No.	Parts Name	Description
1	E04069S	Push Terminal	GND Terminal
2	E03043-80	Pin Jack Ass'y	2-Ch. Input Terminal
3	E03043-80	//	4-Ch. Tape Terminal
4	E03410-001	4P Push Terminal Ass'y	Remote Speaker Terminal
5	E03410-001	//	Rear Speaker Terminal
6	E03410-001	//	Main Speaker Terminal
7	Q30120-001	AC Socket	Switched AC Outlet
8	Q30120-001	//	Unswitched AC Outlet
9	Q03967	DIN Socket	DIN Socket
10	E03043-80	Pin Jack Ass'y	2-Ch. Tape, 4-Ch Input
11	E03043-120	//	4-Ch. Input, Pre Out Main IN
12	QSS8248-002	Slide Switch	BTL Switch
13	QSS4224-002	//	Meter Sensitivity Switch
14	Q30210-001	Fuse Socket	Fuse Socket
15	E31704-001	Cord Stoper	Power Cord Stopper
16	Q03056-14	AC Cord with Plug	Power Cord

• TOP VIEW

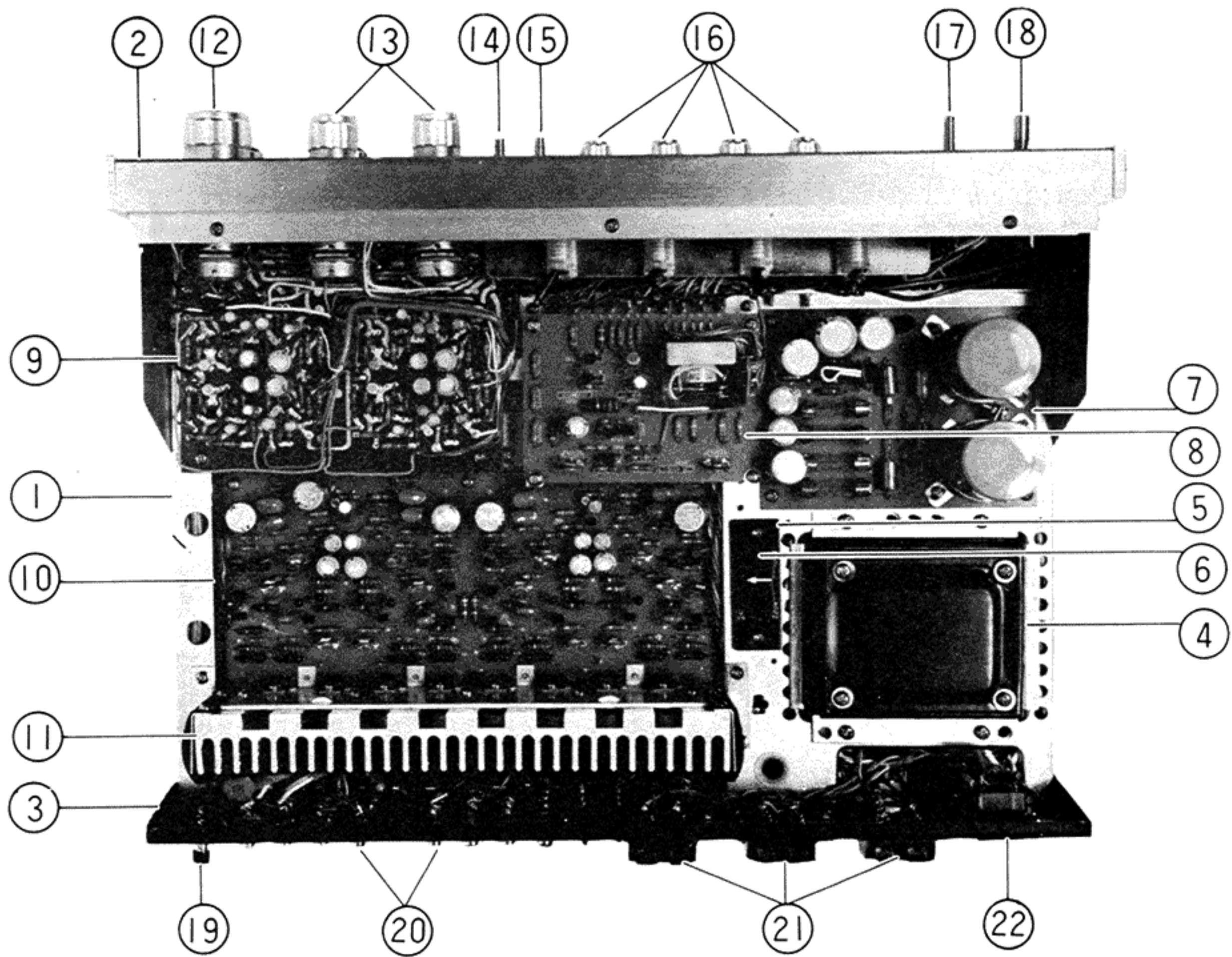


Fig. 6

I'll No.	Parts No.	Parts Name	I'll No.	Parts No.	Parts Name
1	E1532-002S	Chasis Base	12	E46020-009	Knob (Volume)
2	E20994-003	Front Panel Ass'y	13	E46022-005	Knob (Tone Control)
3	E21153-001	Rear Panel	14	QSL2235-005	Lever Switch (2-Ch Tape Monitor)
4	E03098-20C	Power Transformer	15	QSL8235-004	Lever Switch (4-Ch Tape Monitor)
5	E04084	Voltage Select Socket	16	E46022-005	Knob (Level Control)
6	E04085	Voltage Select Plug	17	QSL8235-004	Lever Switch (Front Speakers)
7	TAP-141J	Power Supply Circuit Board Ass'y	18	QSL1135-007	Lever Switch (Power Switch)
8	TAC-177J	Protector Circuit Board Ass'y	19	E04069S	Push Terminal
9	TAC-138J	Tone Control Circuit Board Ass'y	20	E03043-80	Pin Jack Ass'y
10	TAD-95J	Power Amp. Circuit Board Ass'y	21	E03410-001	4P Push Terminal Ass'y
11	E32493-001	Heat Sink	22	Q30120-001	AC Socket

· BOTTOM VIEW

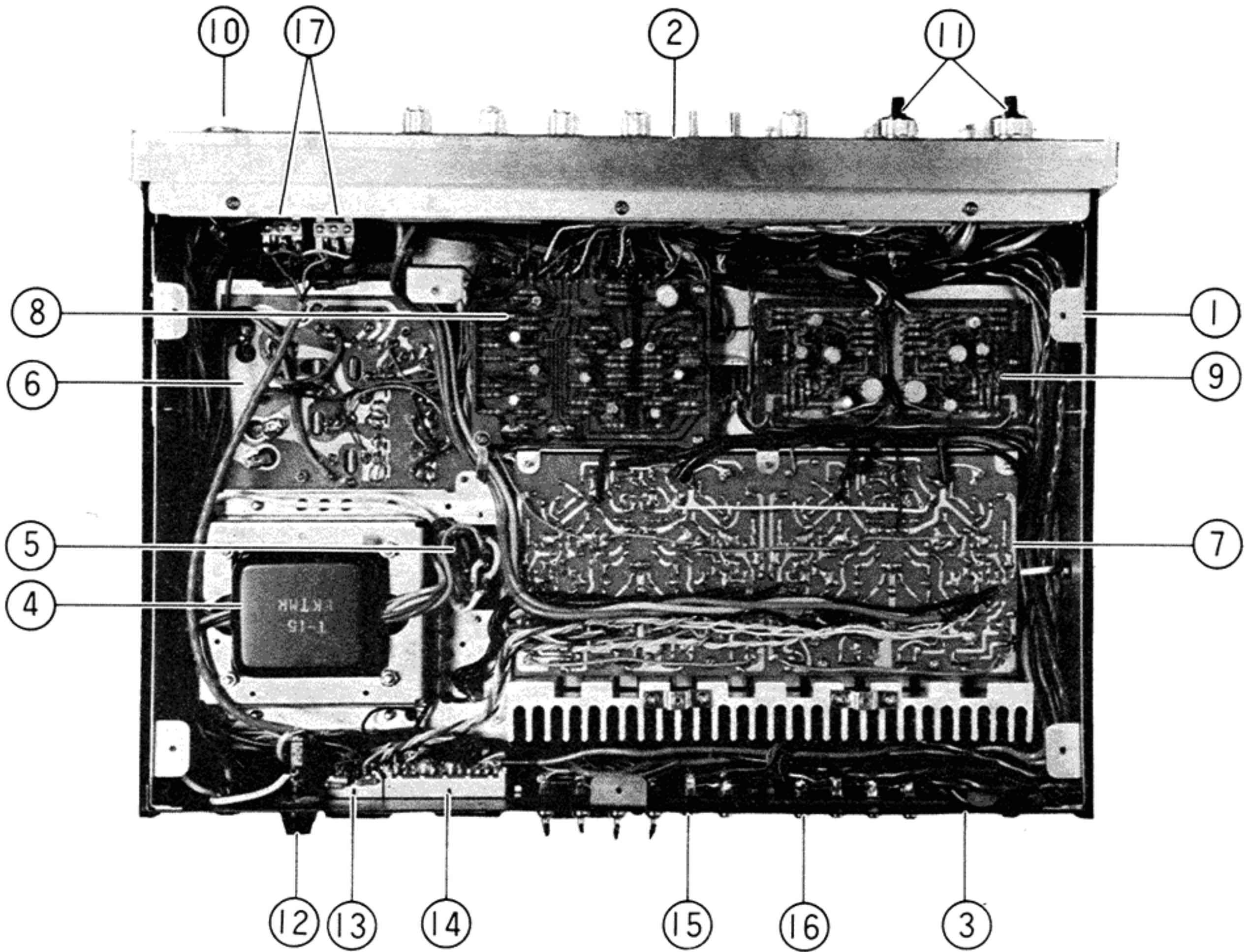


Fig. 7

I'll No.	Parts No.	Parts Name	I'll No.	Part's No.	Parts Name
1	E1532-002S	Chasis Base	10	E46642-005	B. Remote Cap Ass'y
2	E20994-003	Front Panel Ass'y	11	E46021-004	Select Knob
3	E21153-001	Rear Panel	12	Q30210-001	Fuse Socket Ass'y
4	E03098-20C	Power Transformer	13	QSS4224-002	Slide Sw. (Meter Sens.)
5	E04084	Voltage Select Socket	14	QSS8248-002	Slide Sw. (BTL Sw.)
6	TAP-141J	Power Supply C.B. Ass'y	15	E03043-120	Pin Jack Ass'y
7	TAD-95J	SFCS C.B. Ass'y	16	E03043-80	//
8	TAC-192J	Power Amp C.B. Ass'y	17	Q03963-001	Head Phone Jack
9	TAE-44J	Equalizer C.B. Ass'y			

EXPLODED VIEW OF MECHANICAL PARTS
 · COVER AND BOTTOM PLATE

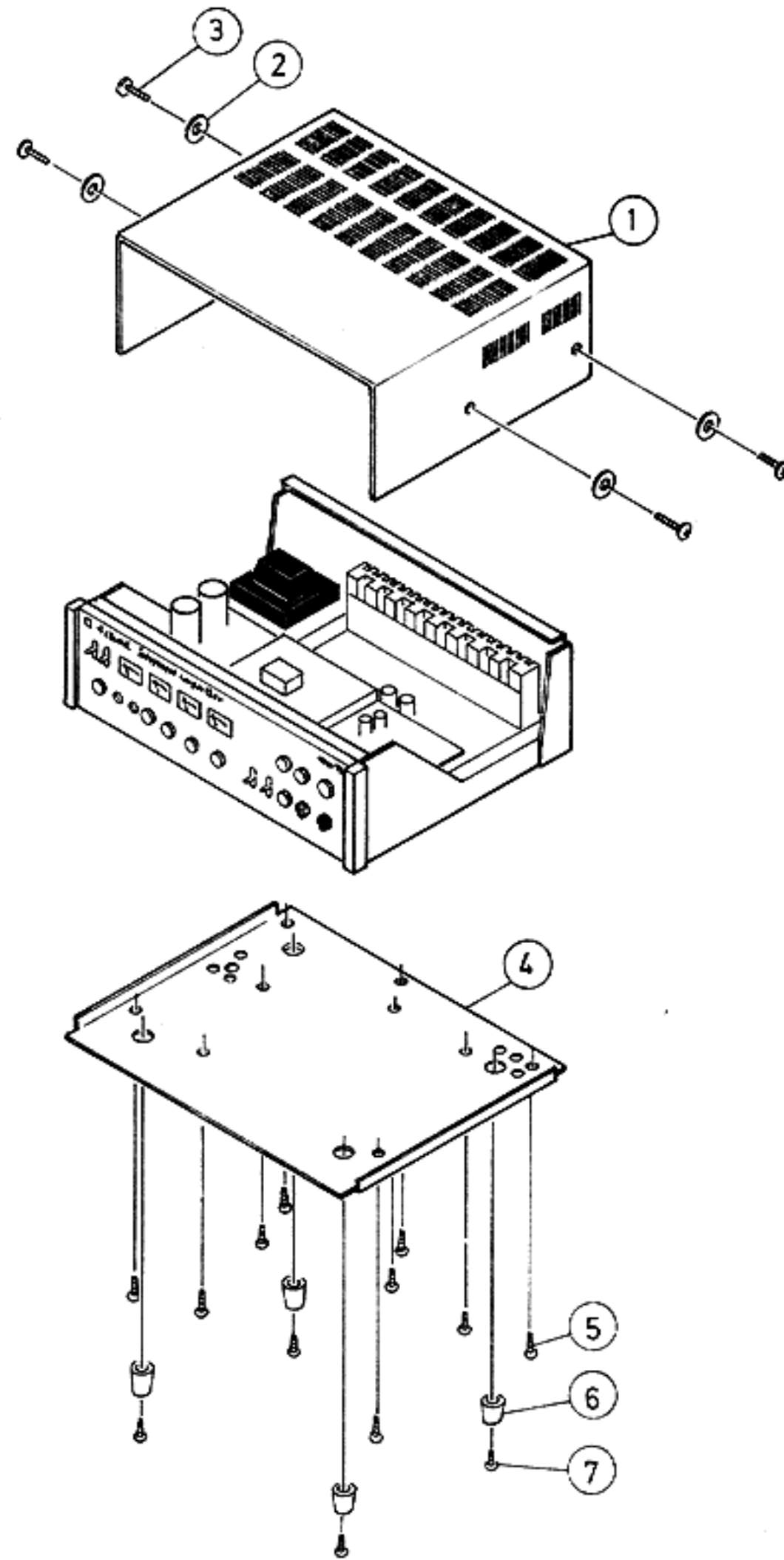


Fig. 8

Ill No.	Parts No.	Parts Name
1	E21158-001	Cover
2	Q03093-108	Washer
3	SDSP4008RS	Screw
4	E20457-007S	Bottom Plate
5	SBSB3008N	Screw
6	Q05905-1	Foot
7	SBSB3014N	Screw

• REAR PANEL

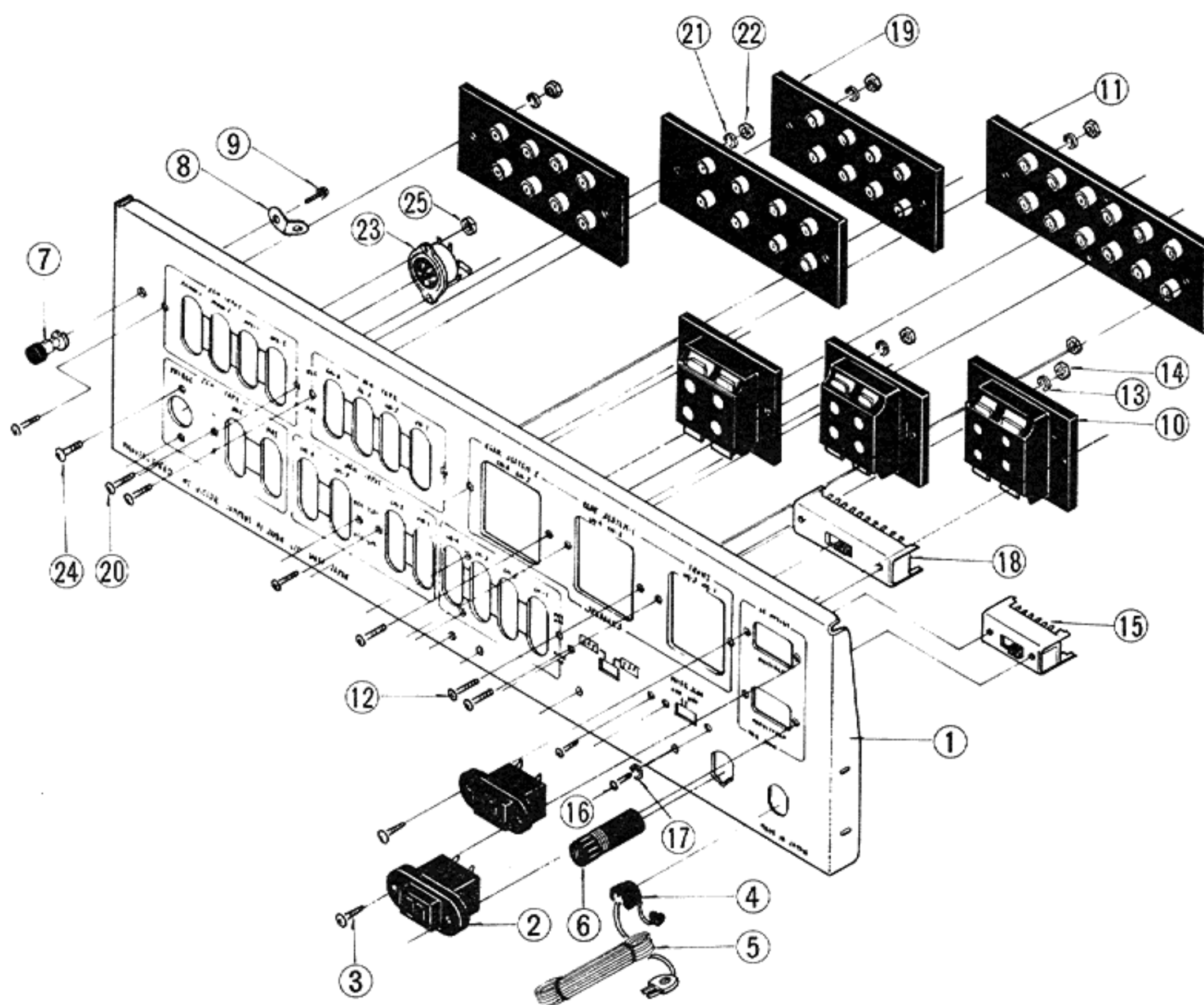


Fig. 9

I'll No.	Parts No	Parts Name	Description
1	E21153-001	Rear Panel	
2	Q30120-001	AC Socket	
3	SPKP3010S	P. Screw	
4	E31704-001	Cord Stoper	
5	Q03056-14	AC Cord with Plug	
6	Q30210-001	Fuse Socket Ass'y	
7	E04069S	Push Terminal	
8	51739-2	Earth Lug	
9	LPSP3005NS	Ass'y Screw	
10	E03410-001	4P Push Terminal Ass'y	
11	E03043-120	Pin Jack Ass'y	
12	SPSP3008MS	Screw	
13	WLS3000N	Lock Washer	
14	NNB3000NS	Nut	
15	QSS4224-002	Slide Switch	4C-2P for Meter Sens.
16	SPSP2605M	Screw	
17	WLS2600N	Lock Washer	
18	QSS8248-002	Slide Switch	8C-2P for BTL Switch
19	E03043-80	Pin Jack Ass'y	
20	SPSP3008MS	Screw	
21	WLS3000N	Lock Washer	
22	NNB3000NS	Nut	
23	Q03967	DIN Socket	
24	SPSP3006NS	Screw	
25	NNB3000NS	Nut	

• FRONT PANEL

Ill No.	Parts No.	Parts Name	Description
1	E20994-003	Front Panel Ass'y	
3	SBSB3008C	Screw	
3	E46021-004	Select Knob	
4	E46020-009	Volume Knob	
5	E46025-003	Knob	
6	E46022-005	//	
7	E46025-003	//	

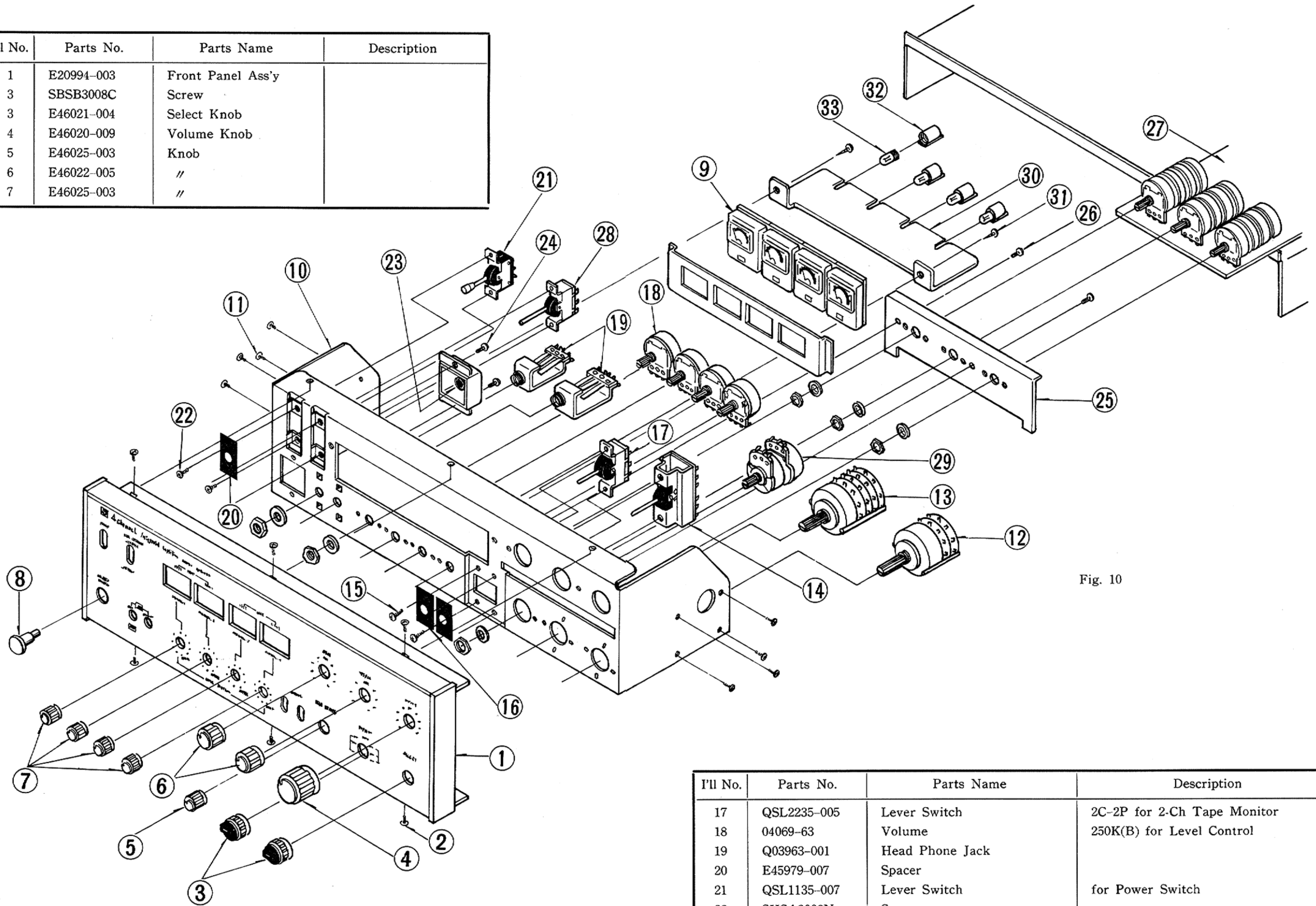


Fig. 10

Ill No.	Parts No.	Parts Name	Description
8	E46642-005	B. Remote Cap Ass'y	
9	E03176-007	Meter	
10	E20685-006	Front Bracket	
11	SDSB3008N	Screw	
12	Q30412-001	Rotary Switch	4C-4P for Source Select
13	QSR3286-201	//	8C-6P for Function Select
14	QSL8235-004	Lever Switch	8C-2P for 4-Ch Tape Monitor
15	SSSP3006NS	Screw	
16	E45979-007	Spacer	

Ill No.	Parts No.	Parts Name	Description
17	QSL2235-005	Lever Switch	2C-2P for 2-Ch Tape Monitor
18	04069-63	Volume	250K(B) for Level Control
19	Q03963-001	Head Phone Jack	
20	E45979-007	Spacer	
21	QSL1135-007	Lever Switch	for Power Switch
22	SHSA3008N	Screw	
23	E03380-001	8P Socket	
24	SBSB3006N	Screw	
25	E32491-002	Volume Bracket	
26	SBSB3006N	Screw	
27	TAC-138J	Tone Control C.B. Ass'y	
28	QSL4235-003	Lever Switch	4C-2P for Front Speakers
29	E03179-001	Volume	250K(B) for SFCS
30	E32548-002	Lamp Bracket	
31	SBSB3006N	Screw	
32	Q30110-00B	Lamp Socket	
33	Q04967-9	Pilot Lamp	

CIRCUIT BOARD AND PARTS

■ EQUALIZER CIRCUIT BOARD ASS'Y

• TAE-44J PARTS SIDE

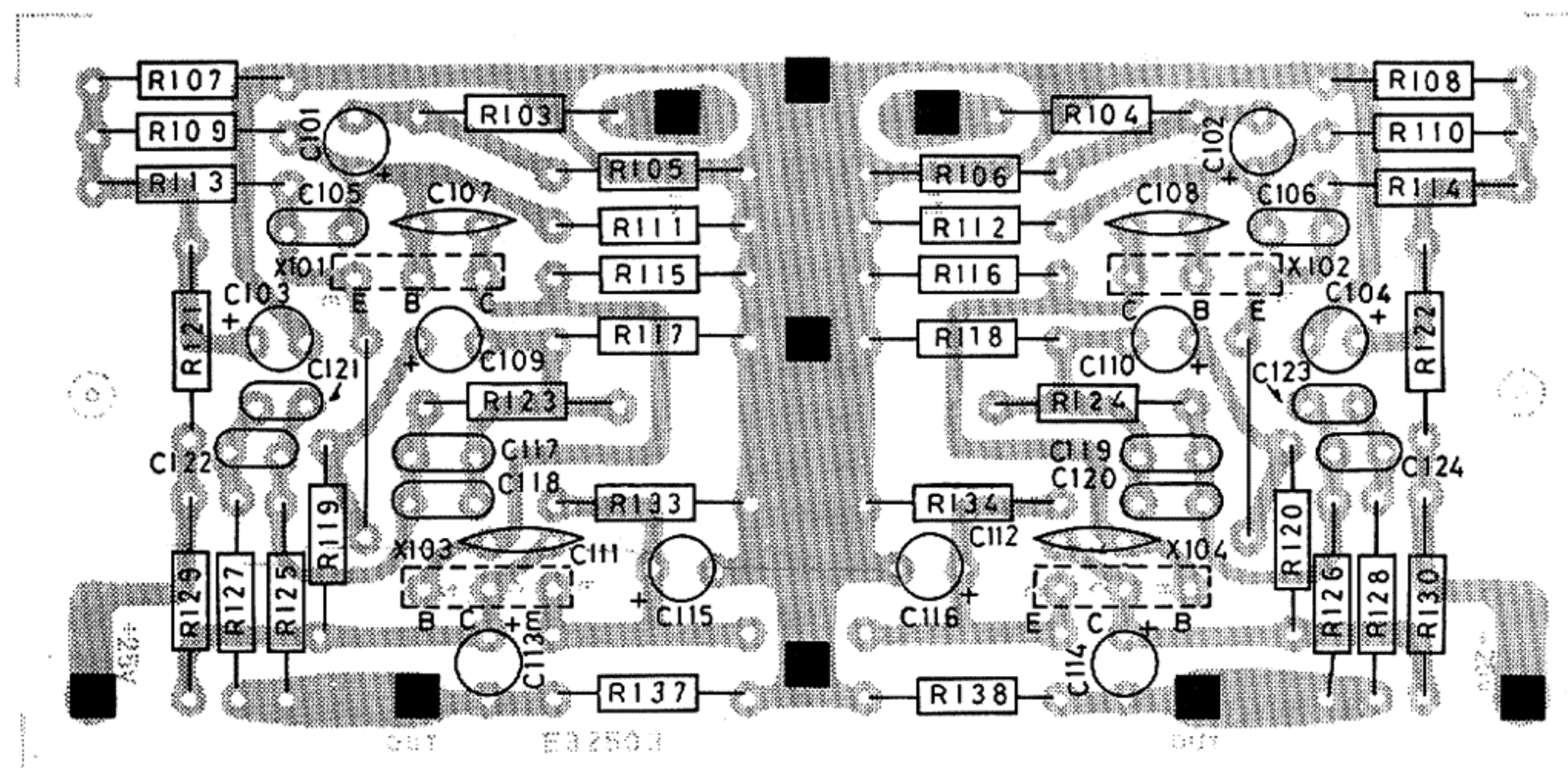


Fig. 11

• TAE-44J PATTERN SIDE

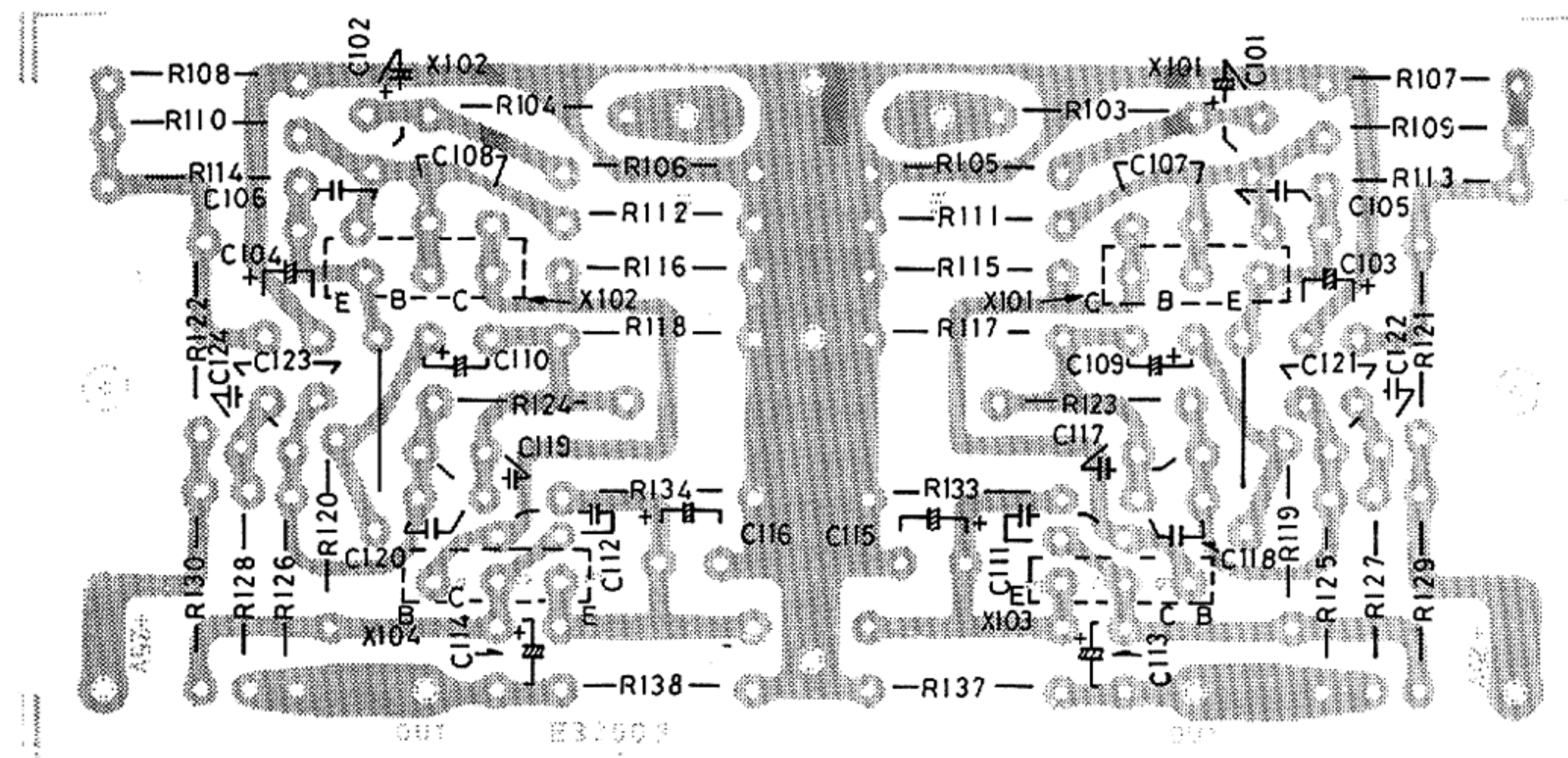


Fig. 12

Parts No.	Parts Name	Description	Parts No.	Parts Name	Description
E32503-003	Circuit Board		Q03244-392	M. Cap	C121, C124
CS4248	Si. Transistor	X101, X102	Q04800-1K	Carbon Resistor	R103, R104
2SC458ALGC	//	X103, X104	// -10K	//	R129, R130
Q03110-30	E. Cap	C109, C110	// -1M	//	R109, R110
// -10	//	C103, C104	// -1.5K	//	R133, R134
// -3	//	C113, C114	// -150K	//	R113, R114
// -100	//	C115, C116	// -18K	//	R125, R126
E03137-3.3	T. Cap	C101, C102	// -22K	//	R107, R108
Q04051-680	C. Cap	C122, C123	// -470	//	R117, R118
Q04051-470	//	C105, C106	// -47K	//	R121, R122
Q04051-56	//	C107, C108, C111, C112	// -470K	//	R135, R136
Q03244-103	M. Cap	C117, C120	// -560K	//	R105, R106, R111, R112, R123, R124
// -272	//	C118, C119	// -68K	//	R115, R116, R137, R138

■ SFCS CIRCUIT BOARD ASS'Y

· TAC-192J PARTS SIDE

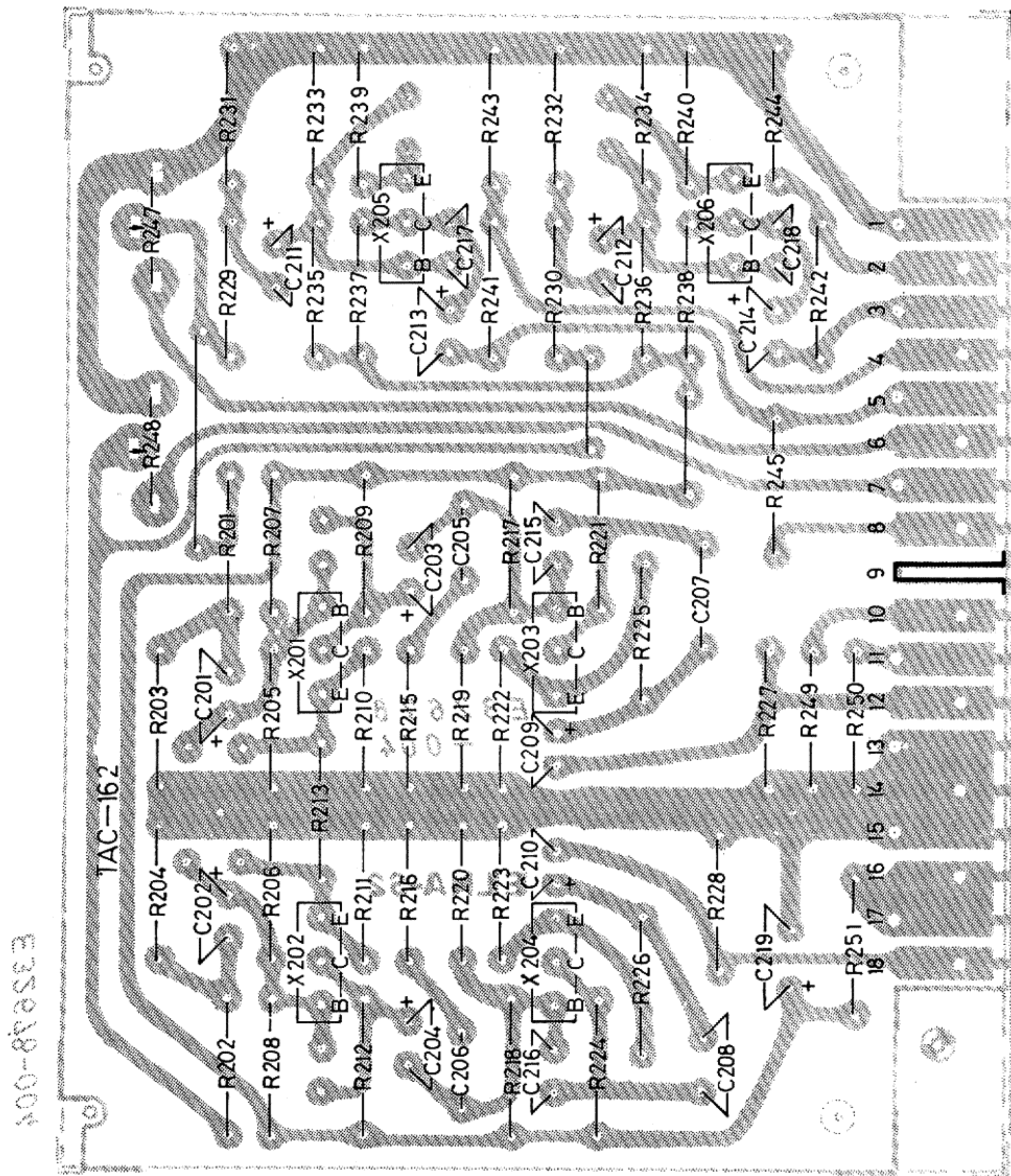


Fig. 13

· TAC-192J PATTERN SIDE

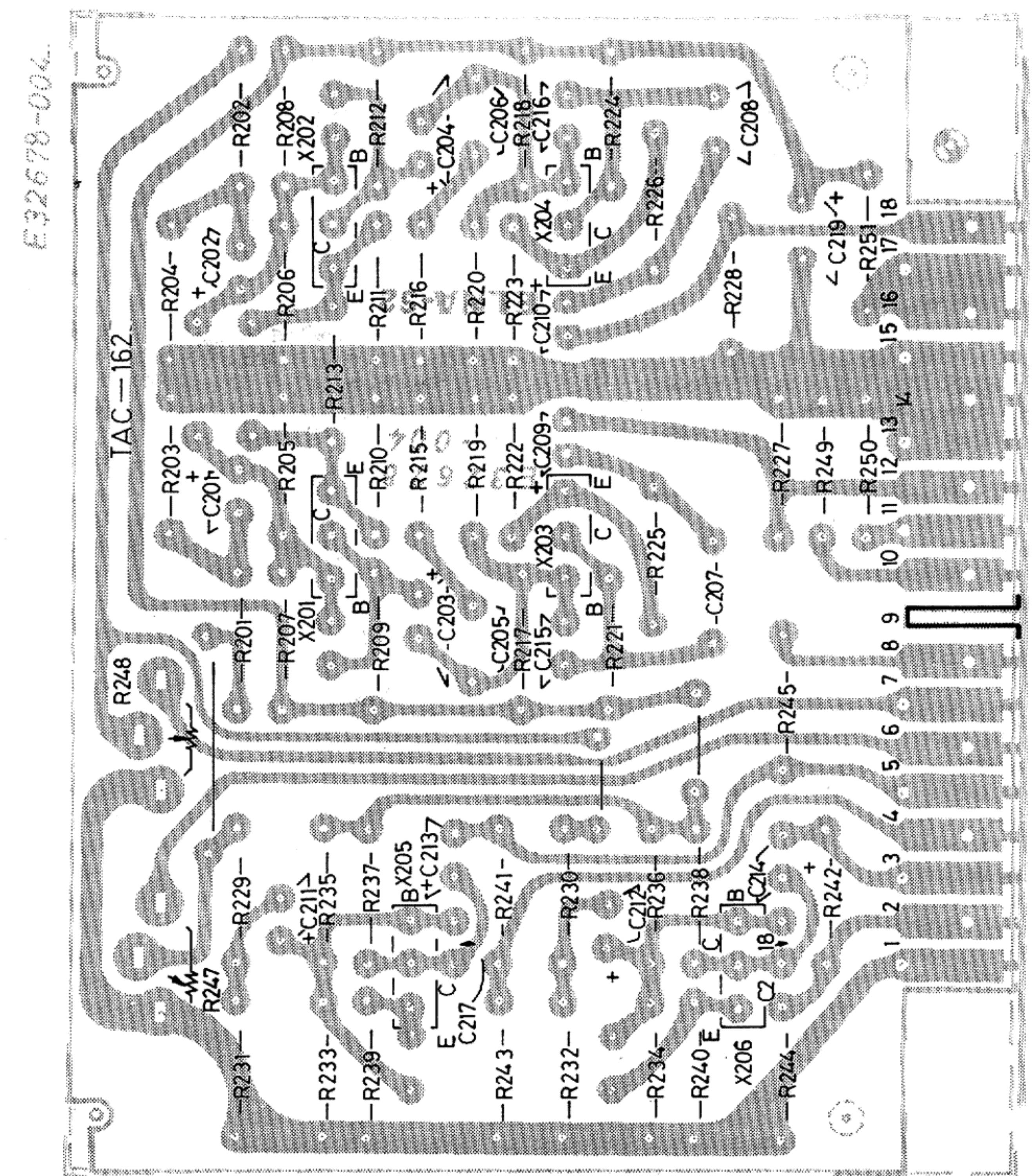


Fig. 14

Parts No.	Parts Name	Description	Parts No.	Parts Name	Description
E33182-001	Circuit Board		Q04800-2.7K	Carbon Resistor	S210, R211
2SC458LGC	Si Transistor	X201 ~ X206	// -270K	//	R205, R206, R233, R234
Q03110-3	E. Cap	C203, C204	// -4.7K	//	R221 ~ R224
Q03112-1	//	C201, C202, C211, C212	// -470K	//	R203, R204, R207, R208, R219, R220, R231, R232
// -50	//	C219	// -5.6K	//	R209, R212, R213, R237 ~ R240
E03137-0.68	T. Cap	C213, C214, C209, C210	// -560K	//	R217, R218
Q03244-104	M. Cap	C205, C206	// -6.8K	//	R225, R226
// -153	//	C208	// -68K	//	R243, R244, R227, R228
// -683	//	C207	// -680K	//	R235, R236
Q04051-56	C. Cap	C215 ~ C218	// -8.2K	//	R215, R216, R241, R242, R230
Q44353-560	//	C220 ~ C223	04091-820	Comp. Resistor	R251
Q04800-10K	Carbon Resistor	R229	Q04850-1	V. Resistor	R247, R248
// -15K	//	R249, R250			
// -2.2K	//	R201, R202			

■ TONE CONTROL CIRCUIT BOARD ASS'Y

· TAC-138J PARTS SIDE

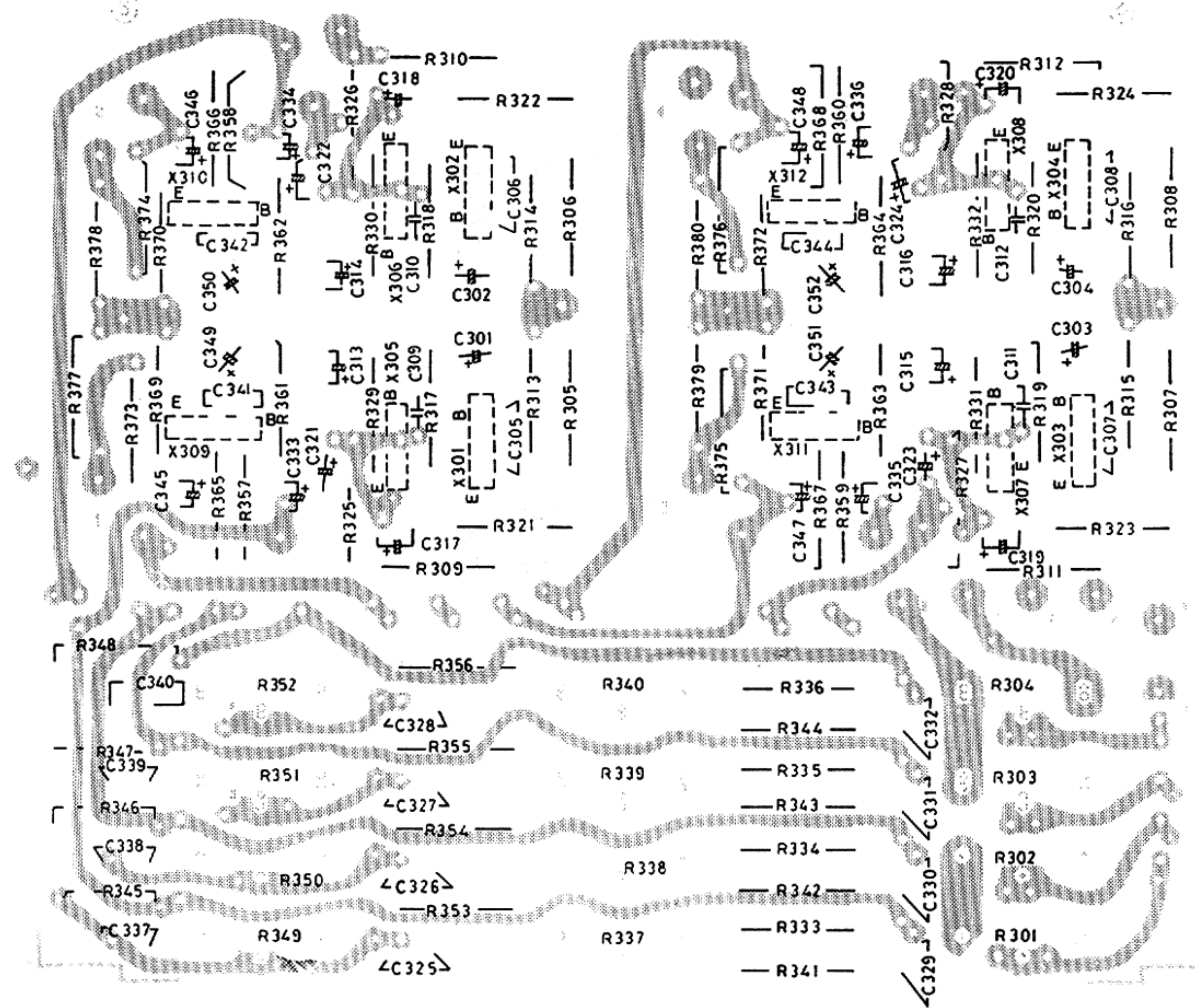


Fig. 15

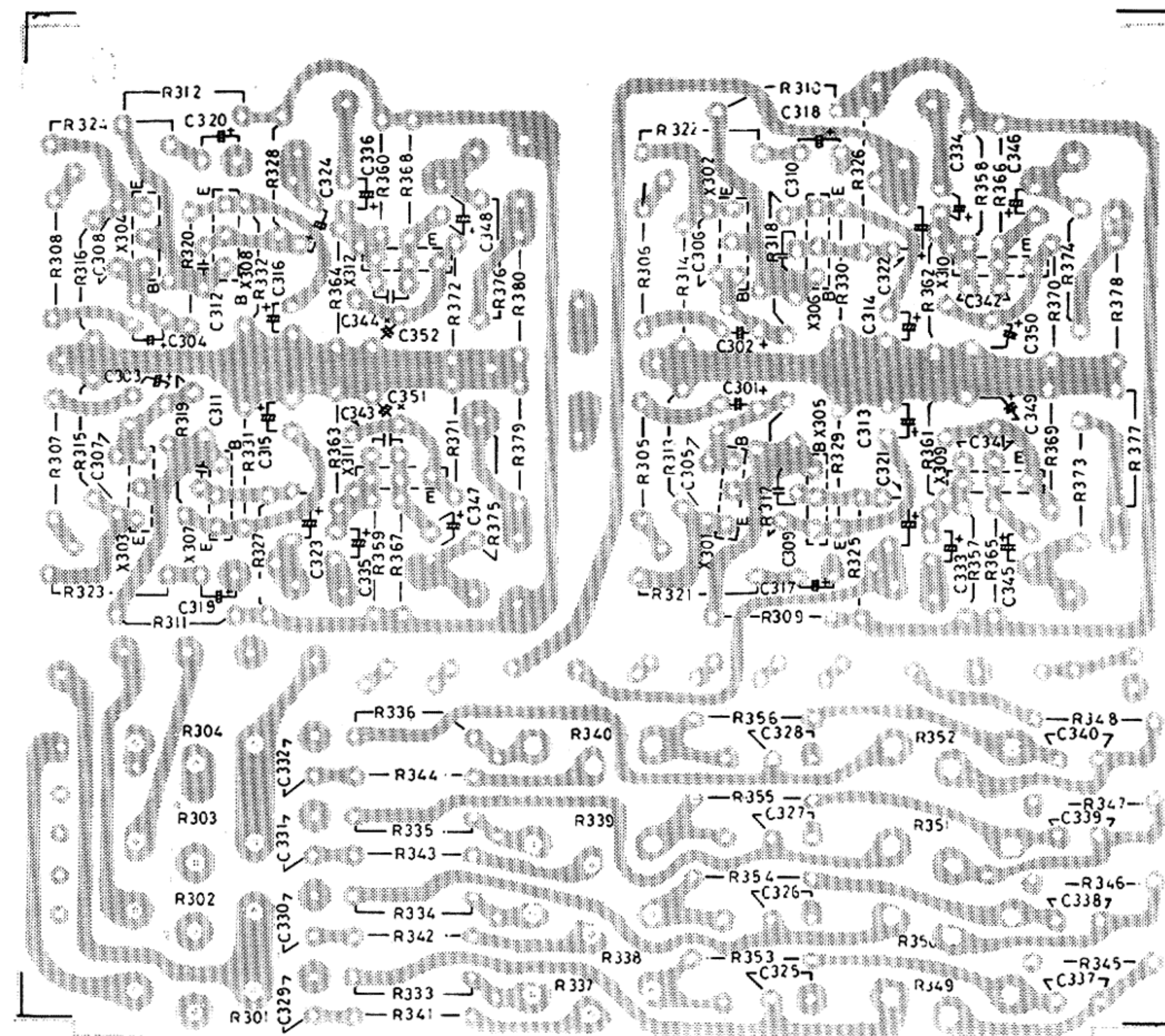


Fig. 16

Parts No.	Parts Name	Description	Parts No.	Parts Name	Description
E32504-003	Circuit Board		Q04800-12K	Carbon Resistor	R333 ~ R336, R353 ~ 356
2SC458LGC	Si. Transistor	X301 ~ X309, X340 ~ X342	// -1.5K	//	R313 ~ R316
Q03110-3	E. Cap	C345 ~ C348	// -150K	//	R309 ~ R312
// -4.7	//	C317 ~ C320	// -2.2K	//	R341 ~ R344
// -10	//	C333 ~ C336	// -220K	//	R357 ~ R360
Q03108-30	//	C313 ~ C316	// -33K	//	R361 ~ R364
// -100	//	C349 ~ C352	// -470K	//	R317 ~ R320
Q03112-1	//	C321 ~ C324	// -560K	//	R329 ~ R332
E03137-3.3	T. Cap	C301 ~ C304	// -5.6K	//	R365 ~ R368
Q03244-152	M. Cap	C329 ~ C332	// -6.8K	//	R321 ~ R324
// -473	//	C325 ~ C328, C337 ~ C340	// -68K	//	R377 ~ R380
Q04051-470	C. Cap	C305 ~ C308	// -820K	//	R381 ~ R384
// -47	//	C341 ~ C344, C309 ~ C312	E03465-001	V. Resistor	R301 ~ R304
Q04900-1K	Carbon Resistor	R305 ~ R308, R369 ~ R376	E03411-001	//	R337 ~ R340, R349 ~ R352
// -10K	//	R345 ~ R348			

PROTECTOR CIRCUIT BOARD ASS'Y

· TAC-177J PARTS SIDE

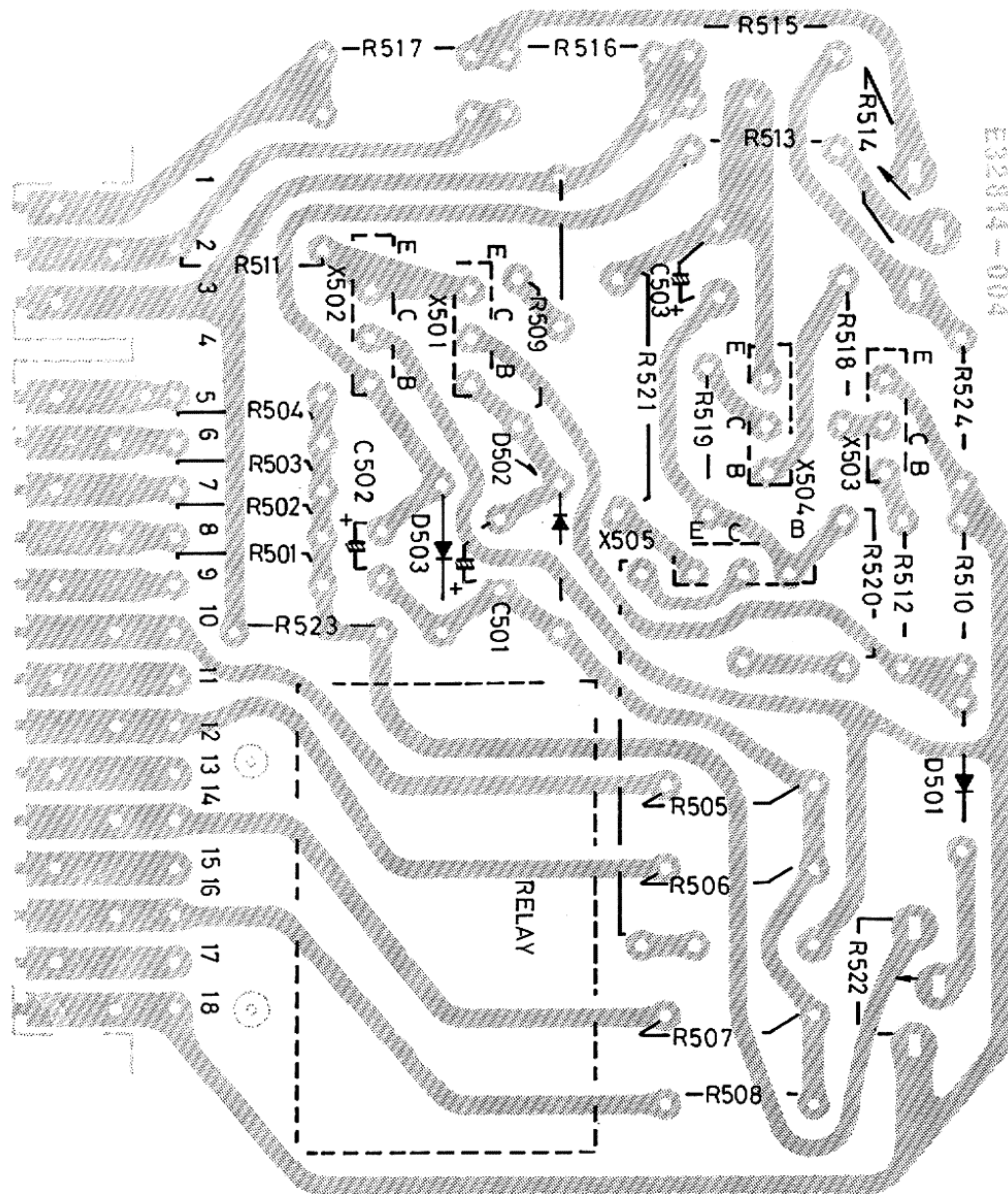


Fig. 17

· TAC-177J PATTERN SIDE

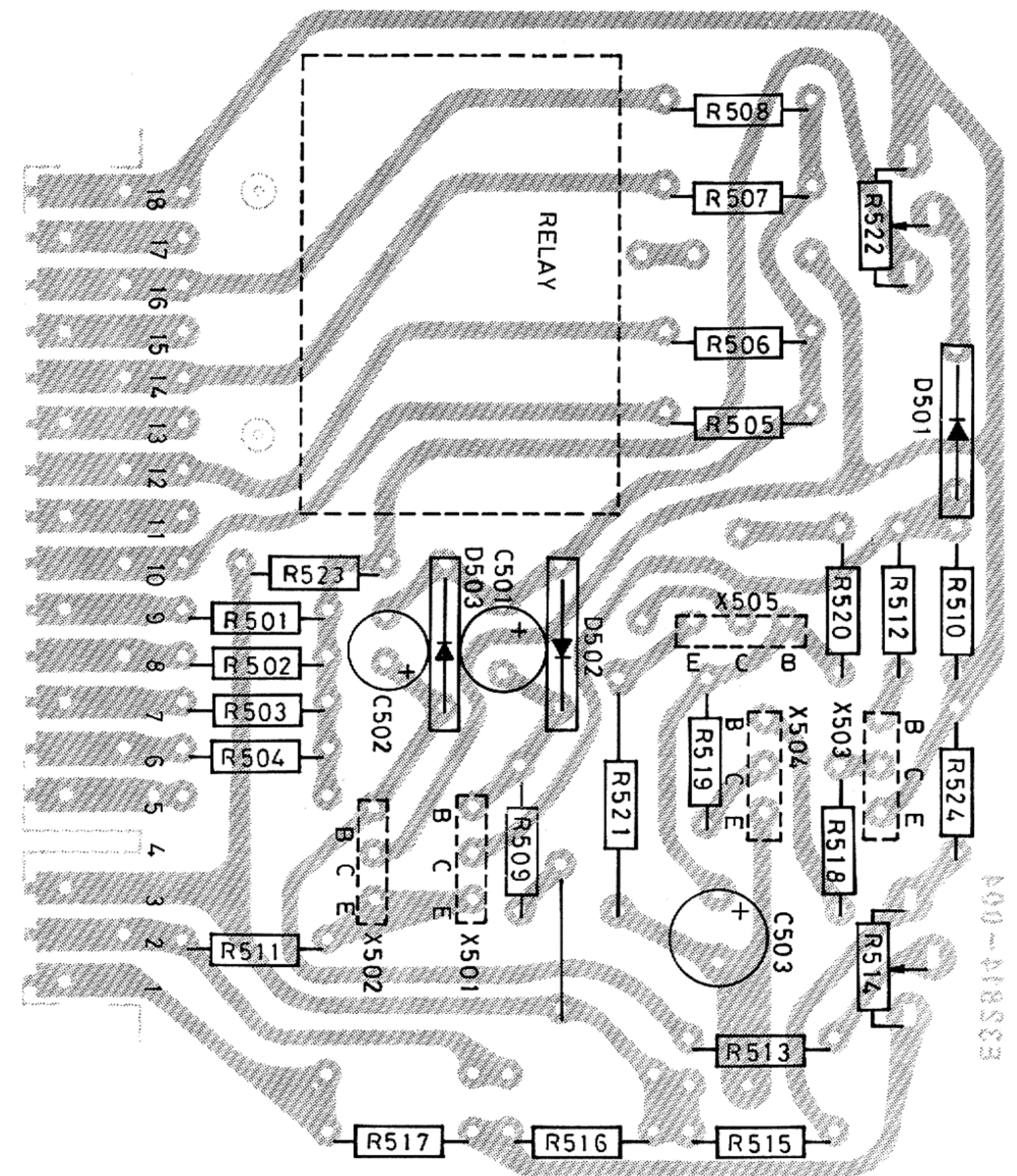


Fig. 18

Parts No.	Parts Name	Description	Parts No.	Parts Name	Description
E33181-001	Circuit Board		Q04800-470	Carbon Resistor	R512
2SC711AE	Si. Transistor	X501, X502, X504	// -4.7K	//	R509, R513
2SA628AE	//	X503	// -47K	//	R518
2SC1213AB	//	X505	// -56K	//	R519
1S426	Ge. Diode	D501, D502, D503 (JRC)	MY4-24	Relay	(TATEISHI)
04091-6.8K	Comp. Resistor	R523	E47022-001	Relay Holder	
04092-330	//	R521	Q03095-203	Washer	
Q04800-10K	Carbon Resistor	R514, R517	LPSP2606N	Ass'y Screw	
// -100K	//	R520	NNS2600N	Nut	
// -1.2K	//	R501 ~ R504	WLS2600N	Lock Washer	
// -15K	//	R511	Q04843-2	V. Resistor	R514
// -220	//	R515, R516	Q04846-3	//	R522
// -2.2K	//	R510	Q03110-100	E. Cap	C503
// -39K	//	R505 ~ R508	Q03104-50	//	C501, C502

■ POWER SUPPLY CIRCUIT BOARD ASS'Y

· TAP-141J PARTS SIDE

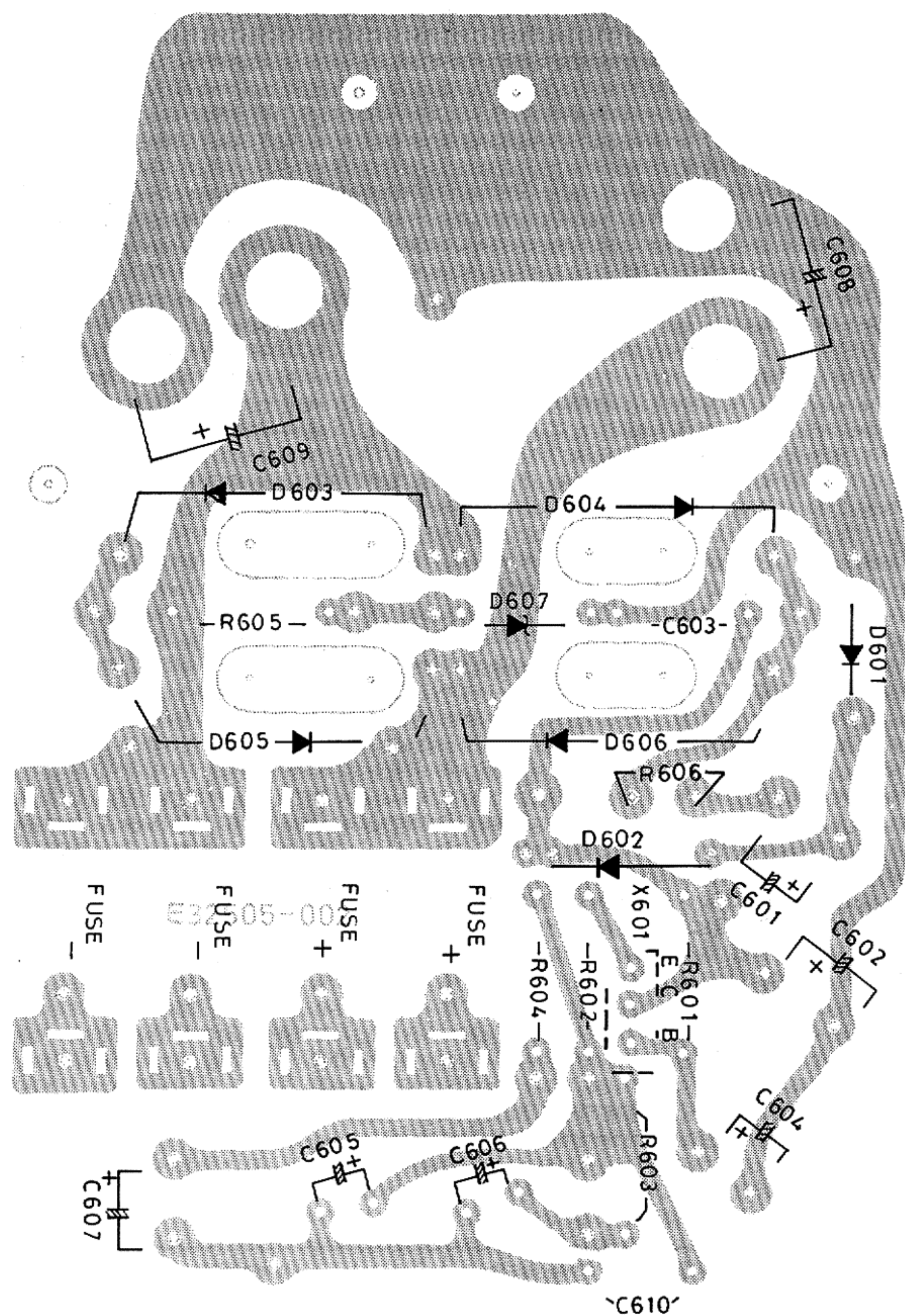


Fig. 19

· TAP-141J PATTERN SIDE

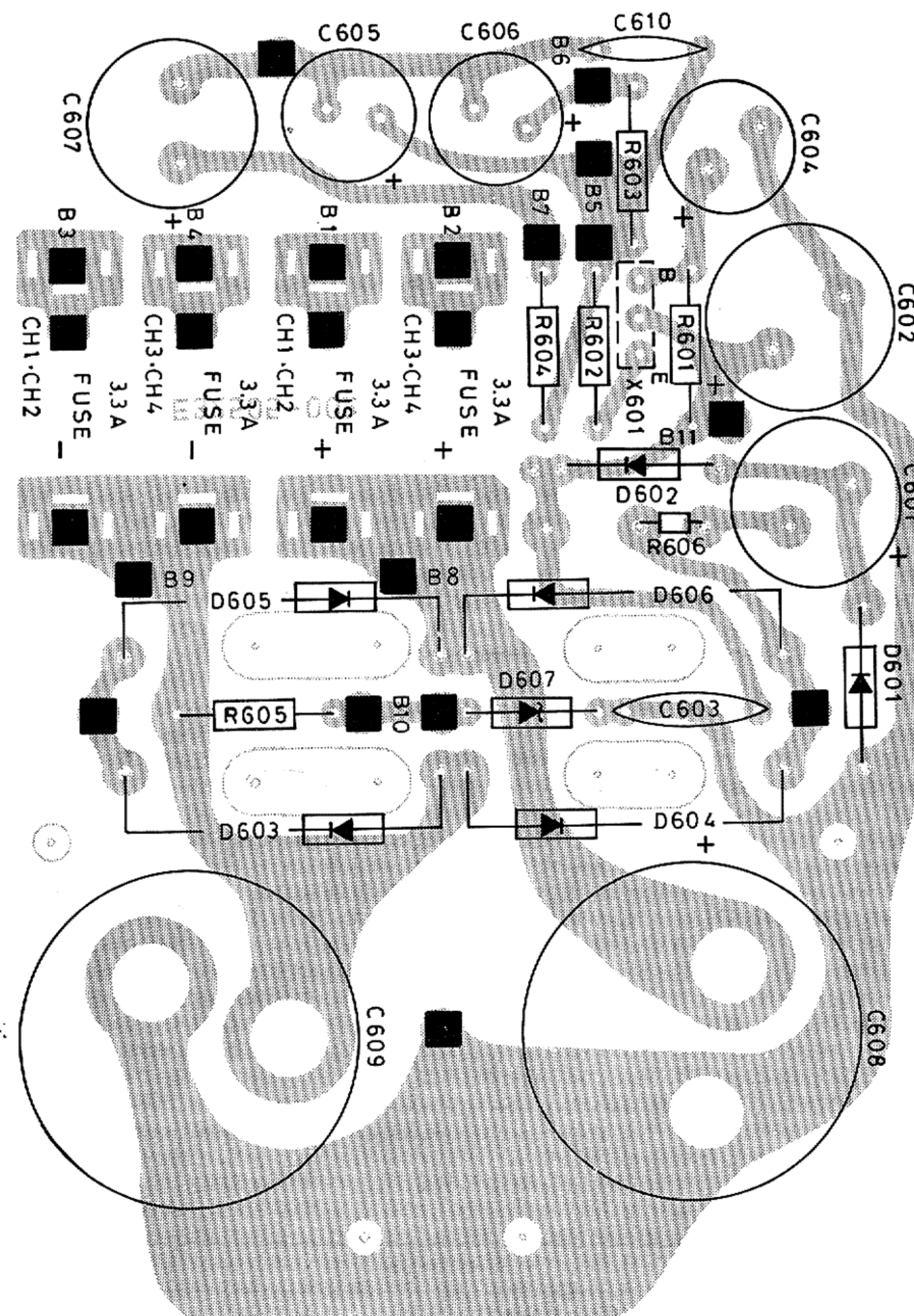


Fig. 20

Parts No.	Parts Name	Description	Parts No.	Parts Name	Description
E33180-001	Circuit Board		QEY3508-021	E. Cap	C608, C609
DS-2P	Si. Diode (FUJI)	D603 ~ D606	Q03138-470	//	C601, C607
FR2-02	// (FUJI)	D601, D602	Q03112-100	//	C605, C606
1S332	Zener Diode (JRC)	D607	// -200	//	C604
2SC853L	Si. Transistor	X601	// -500	//	C602
04090-10	Comp. Resistor	R606	Q42309-01	C. Cap	C603, C610
04091-1.5K	//	R605	04112-3.3	Fuse	for Protector
// -270	//	R603	E45524-001	Contact Clip	
// -330	//	R604	LPSP3006NS	Ass'y Screw	for C608, C609
// -47	//	R602	NNZ3000ZS	Nut	//
// -8.2K	//	R601			

POWER AMP CIRCUIT BOARD ASS'Y

TAD 95J PARTS SIDE

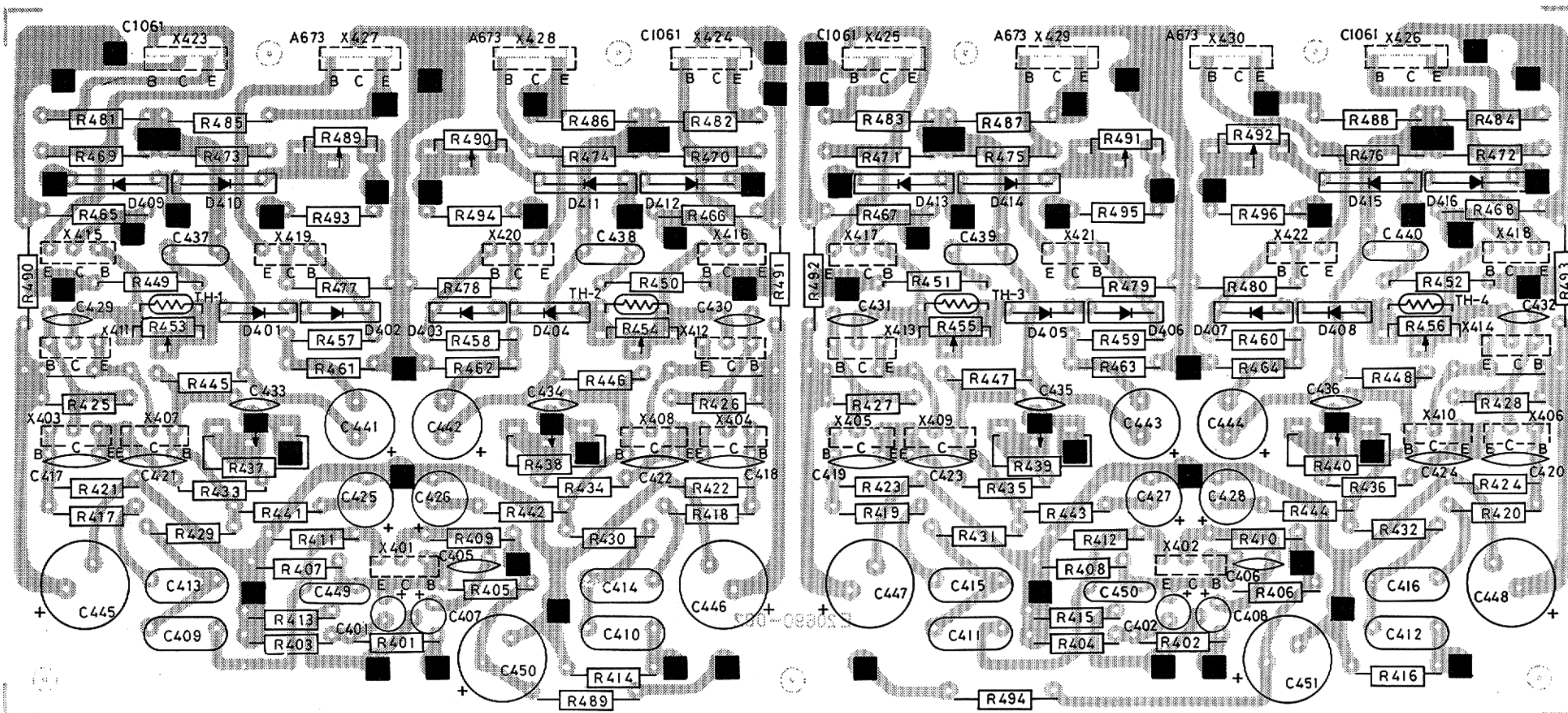


Fig. 21

Parts No.	Parts Name	Description	Parts No.	Parts Name	Description
E21159-001	Circuit Board		1S990	Diode	D409 ~ D416
2SC458ALGC	Si. Transistor	X401, X402	Q03110-100	E. Cap	C441 ~ C444
Q03112-5	E. Cap	C401, C402	Q03138-220	"	C445 ~ C448
Q03138-220	"	C451	Q03104-100	"	C425 ~ C428
Q04051-27	C. Cap	C405, C406	Q04051-15	C. Cap	C429 ~ C432
// -470	"	C449, C450	// -27	"	C433 ~ C436
E03137-1	T. Cap	C407, C408	Q44353-470	"	C417 ~ C424
Q04800-1K	Carbon Resistor	R401, R402	Q03246-224	M. Cap	C409 ~ C416
// -120K	"	R407, R408	// -473	"	C437 ~ C440
// -330K	"	R405, R406	Q46962-04	C. Cap	C453, C454
// -470K	"	R403, R404	Q04800-1K	Carbon Resistor	R441 ~ R444
// -5.6K	"	R409 ~ R412	// -1.2K	"	R461 ~ R464, R433 ~ R436
// -560K	"	R413 ~ R416	// -1.5K	"	R417 ~ R420, R425 ~ R428
2SC458LGC	Si. Transistor	X403 ~ X410	// -2.2K	"	R493 ~ R496
2SC1213A B or C	"	X415 ~ X418	// -27K	"	R429 ~ R432, R445 ~ R448
2SR673A B or C	"	X411 ~ X414, X419 ~ X422	// -3.9K	"	R457 ~ R460
2SA671B or C	"	X427 ~ X430	// -68K	"	R421 ~ R424
2SC1061B or C	"	X423 ~ X426	04091-10	Comp. Resistor	R449 ~ R452
E32502-001	Sub Heat Sink		// -22	"	R465 ~ R468, R477 ~ R480
E46114-002S	Insulated Nut		// -47	"	R490 ~ R493
E45069-001	Insulated Film		// -330	"	R469 ~ R476
LPSP3008NS	Ass'y Screw		E03347-001	M.F. Resistor	R481 ~ R488
E03125-001	Varistor	D401 ~ D404	Q04842-2	V. Resistor	R453 ~ R456
E04026-8	Thermistor	TH1 ~ TH4	Q04846-3	"	R437 ~ R440

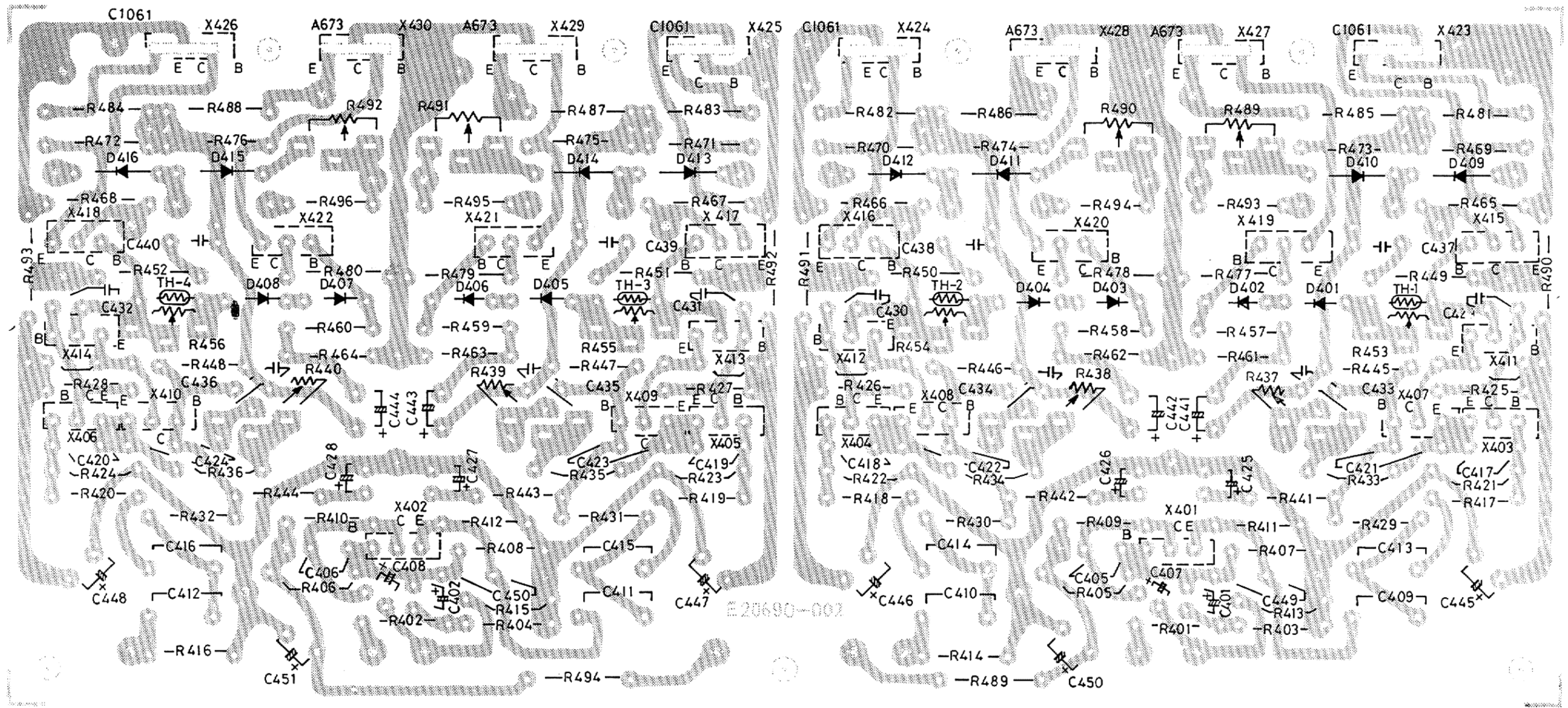


Fig. 16

WIRE CONNECTIONS

· FUNCTION SELECT SWITCH

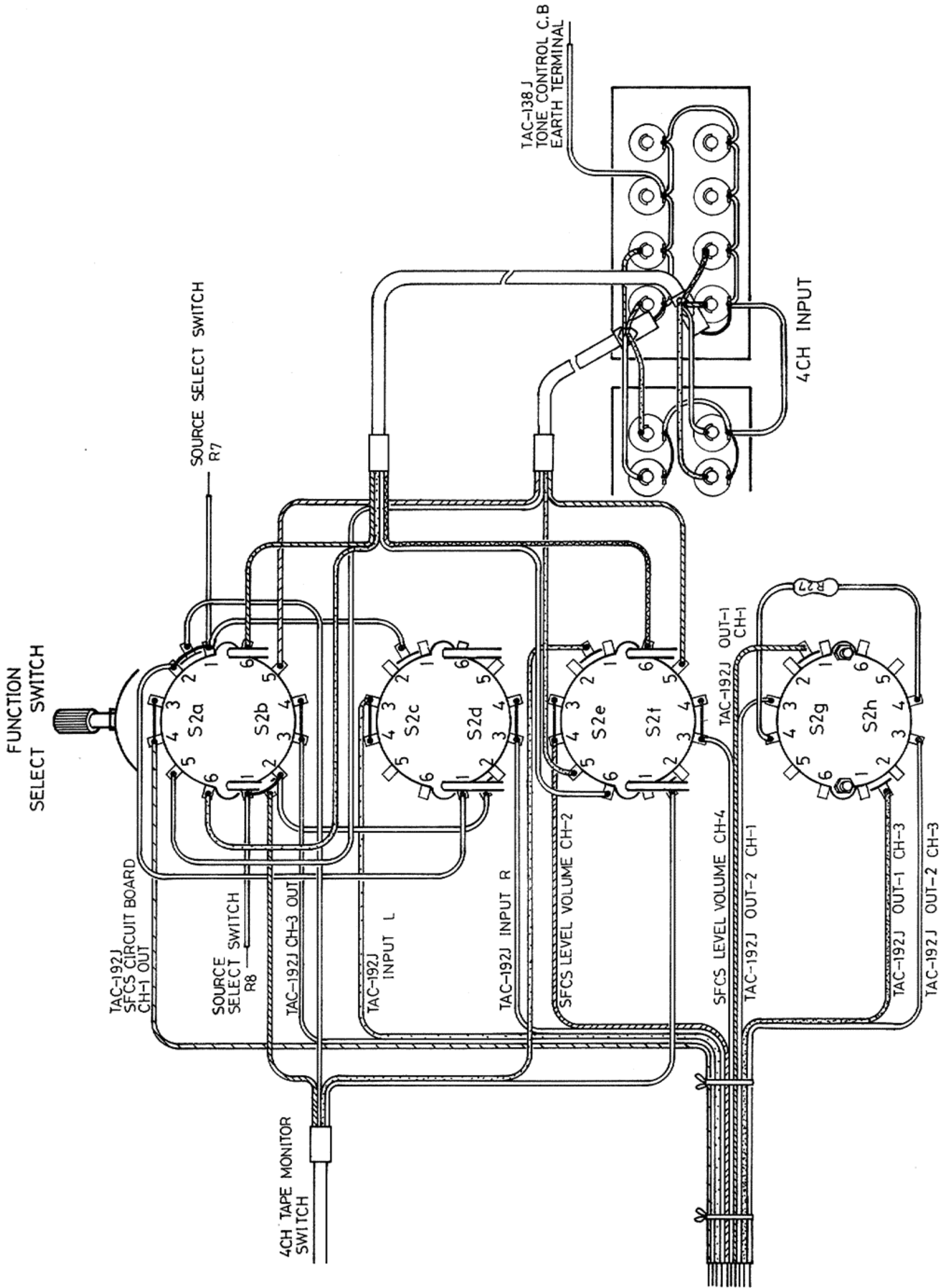


Fig. 23

• SOURCE SELECT SWITCH

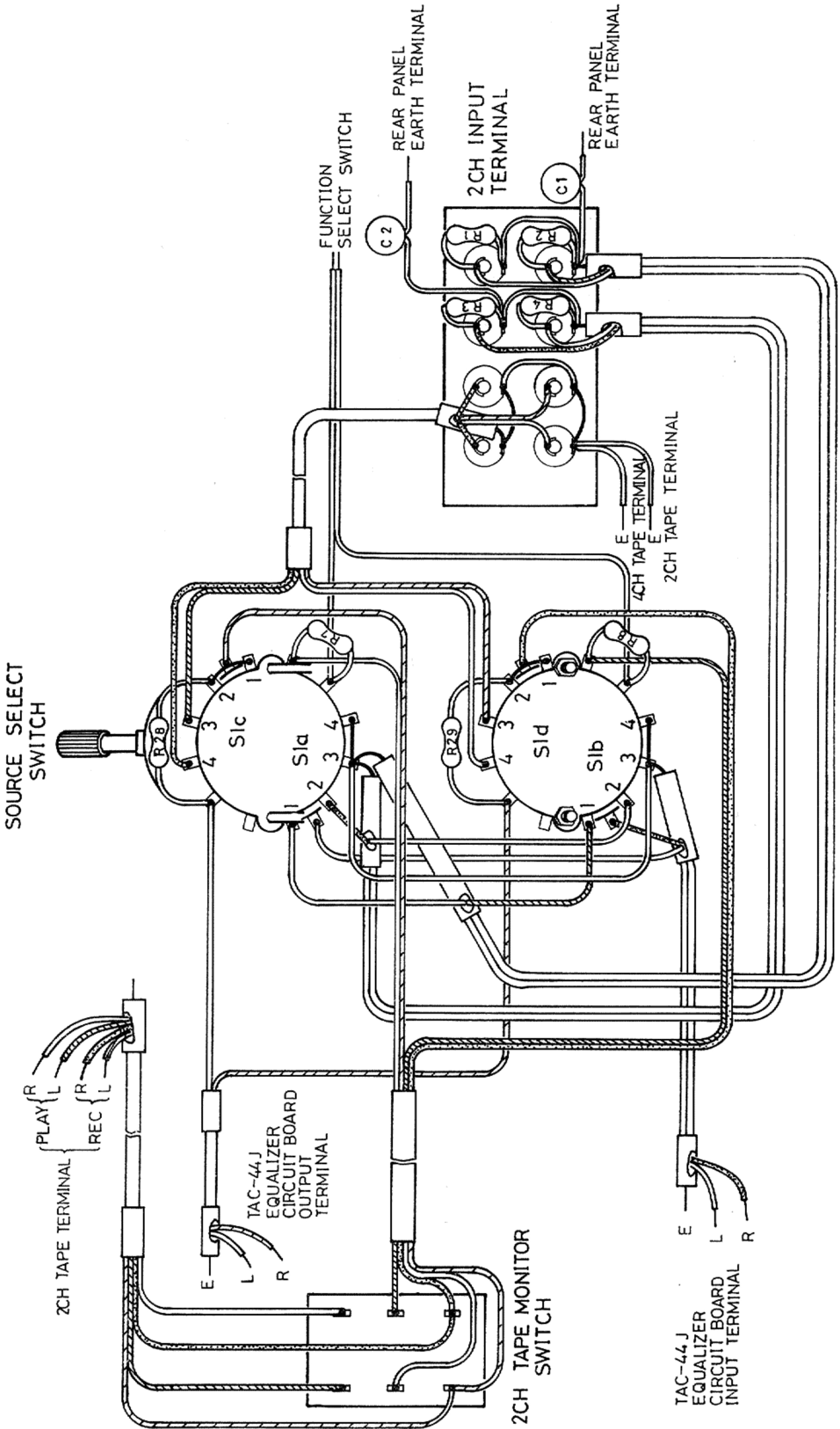


Fig. 24

- SPEAKER TERMINAL
- BTL SW.
- METER SW.
- SPEAKER SW.
- HEAD PHONE JACK

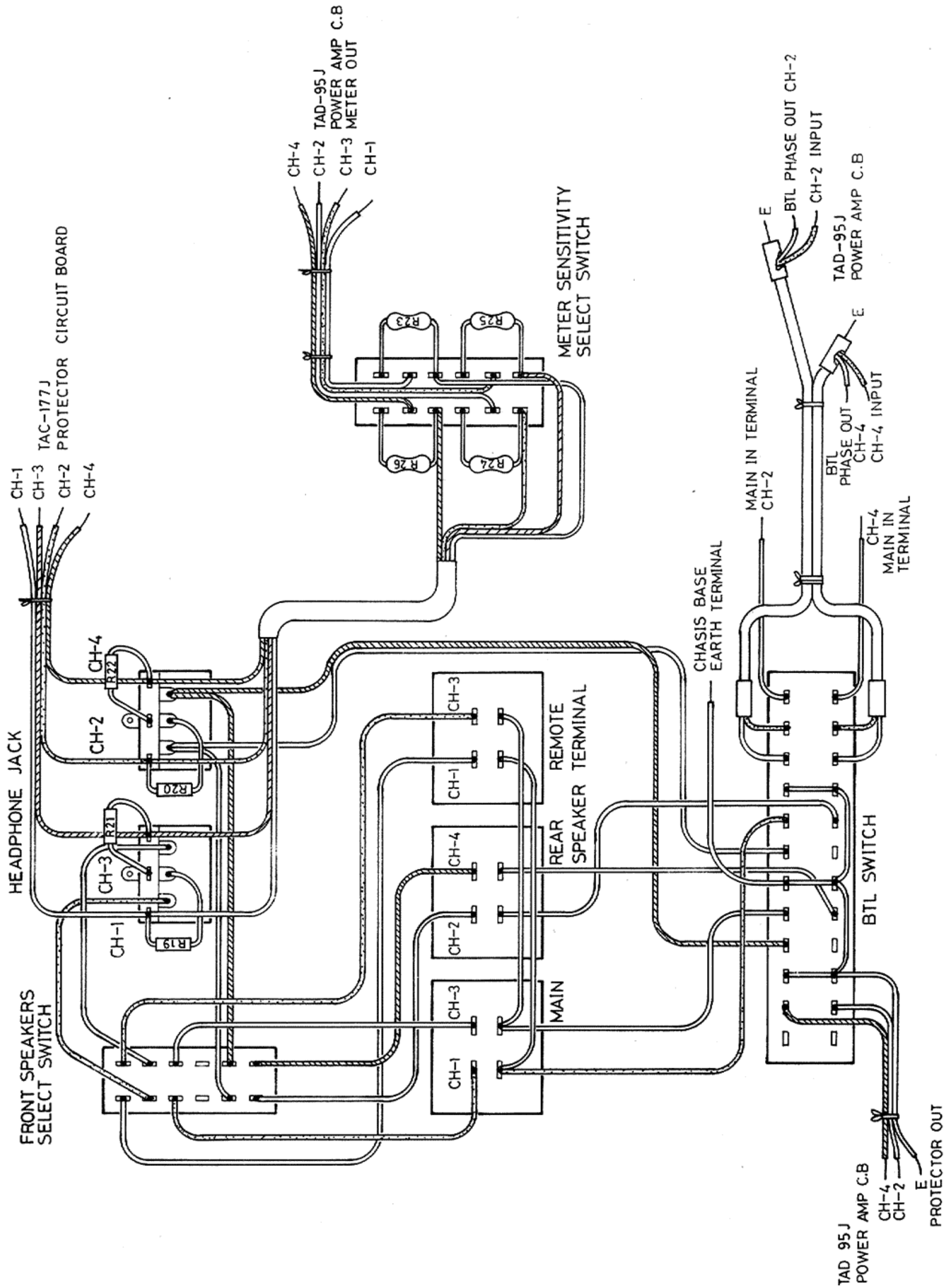


Fig. 25

- LEVEL METER
- POWER SW.
- 8P SOCKET

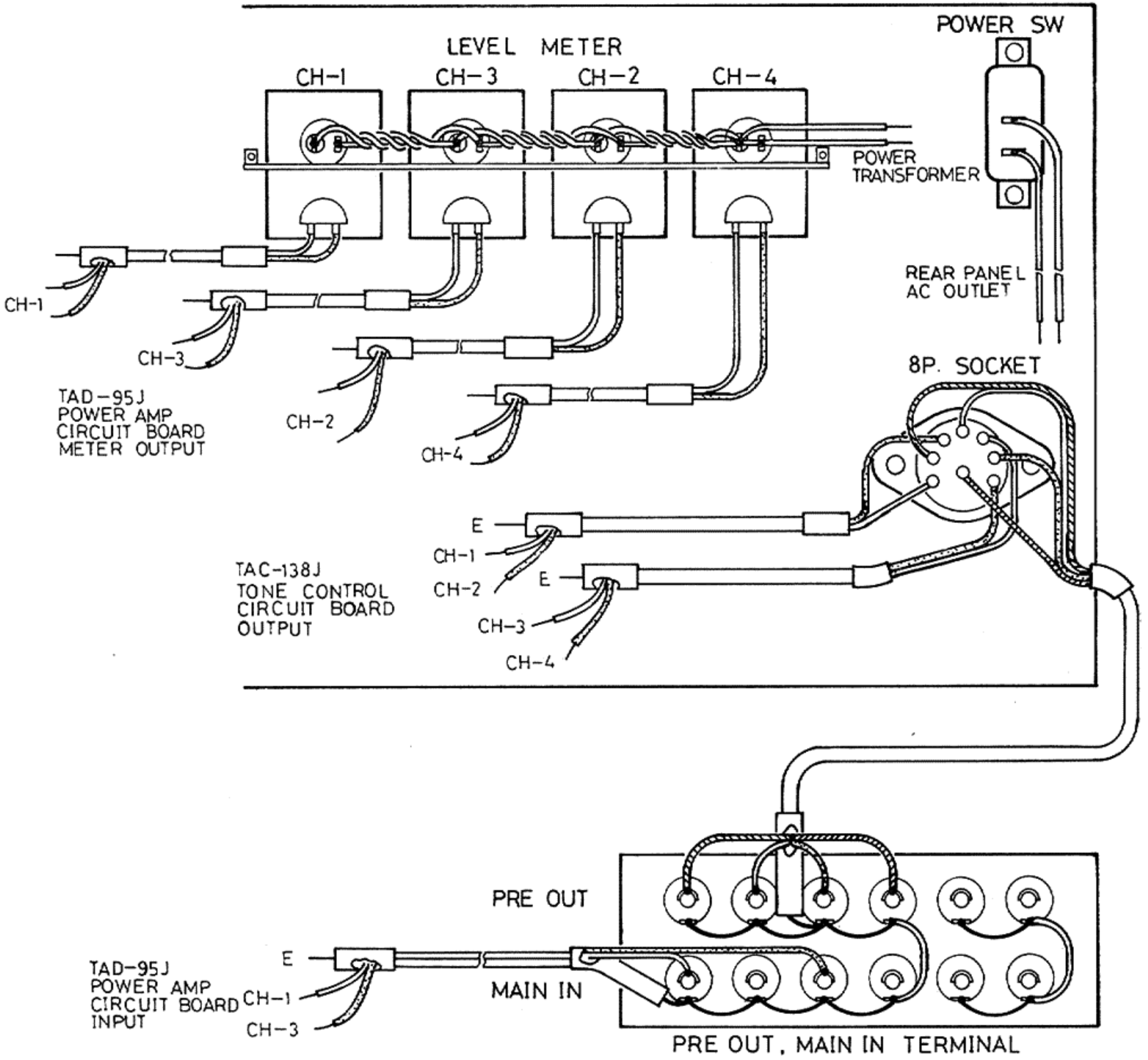


Fig. 26

- 4-CH. TAPE MONITOR SW.

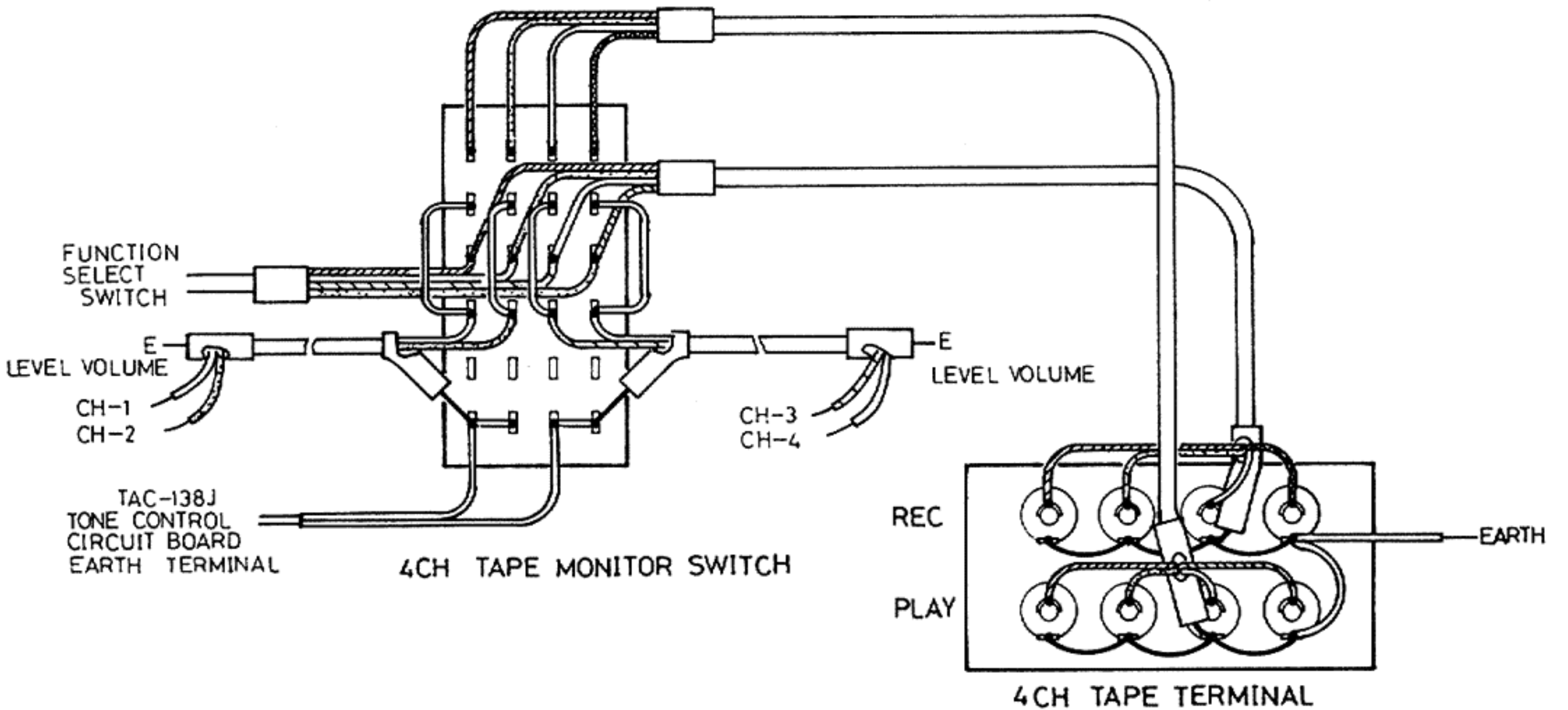


Fig. 27

• DIN SOCKET

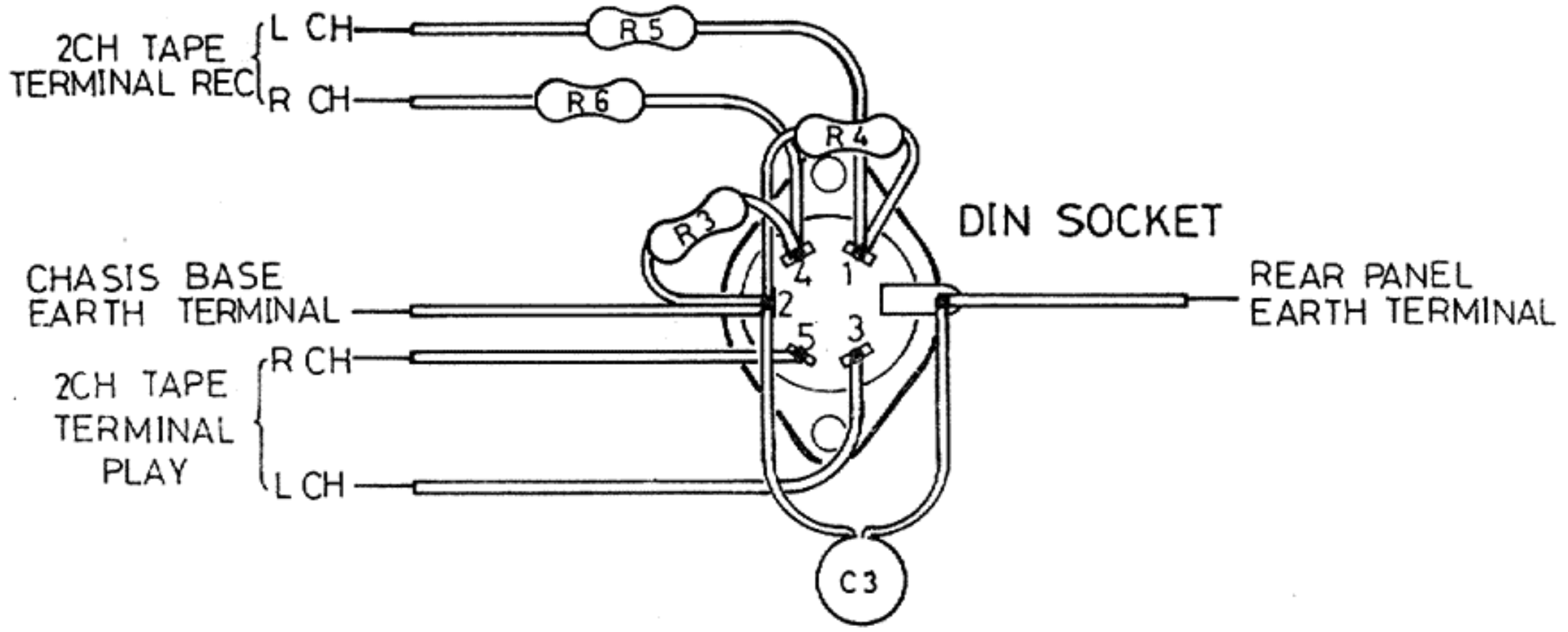


Fig. 28

• AC OUTLET

• FUSE SOCKET

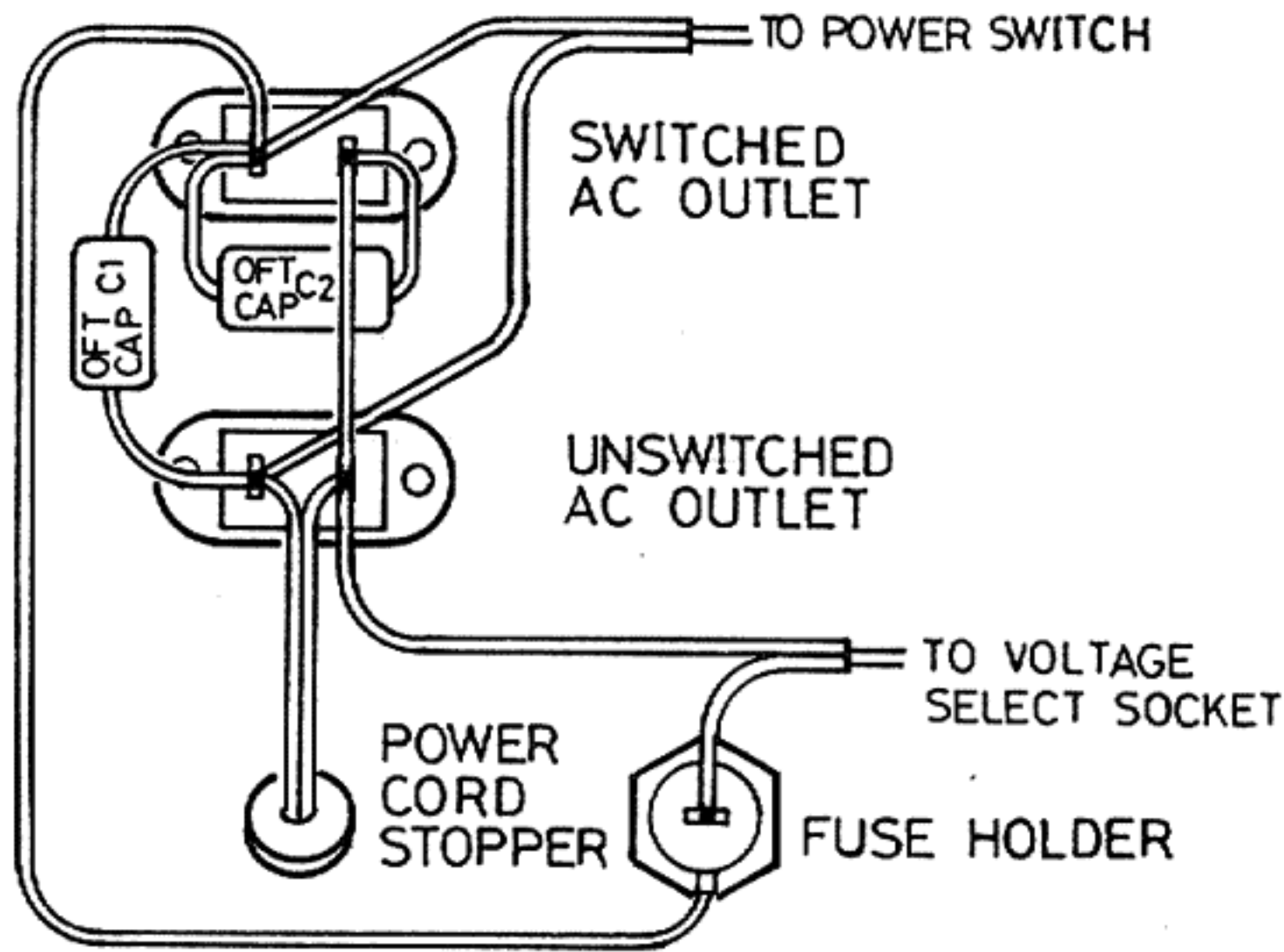


Fig. 29

• LEVEL VOLUME

• S.F.C.S. LEVEL

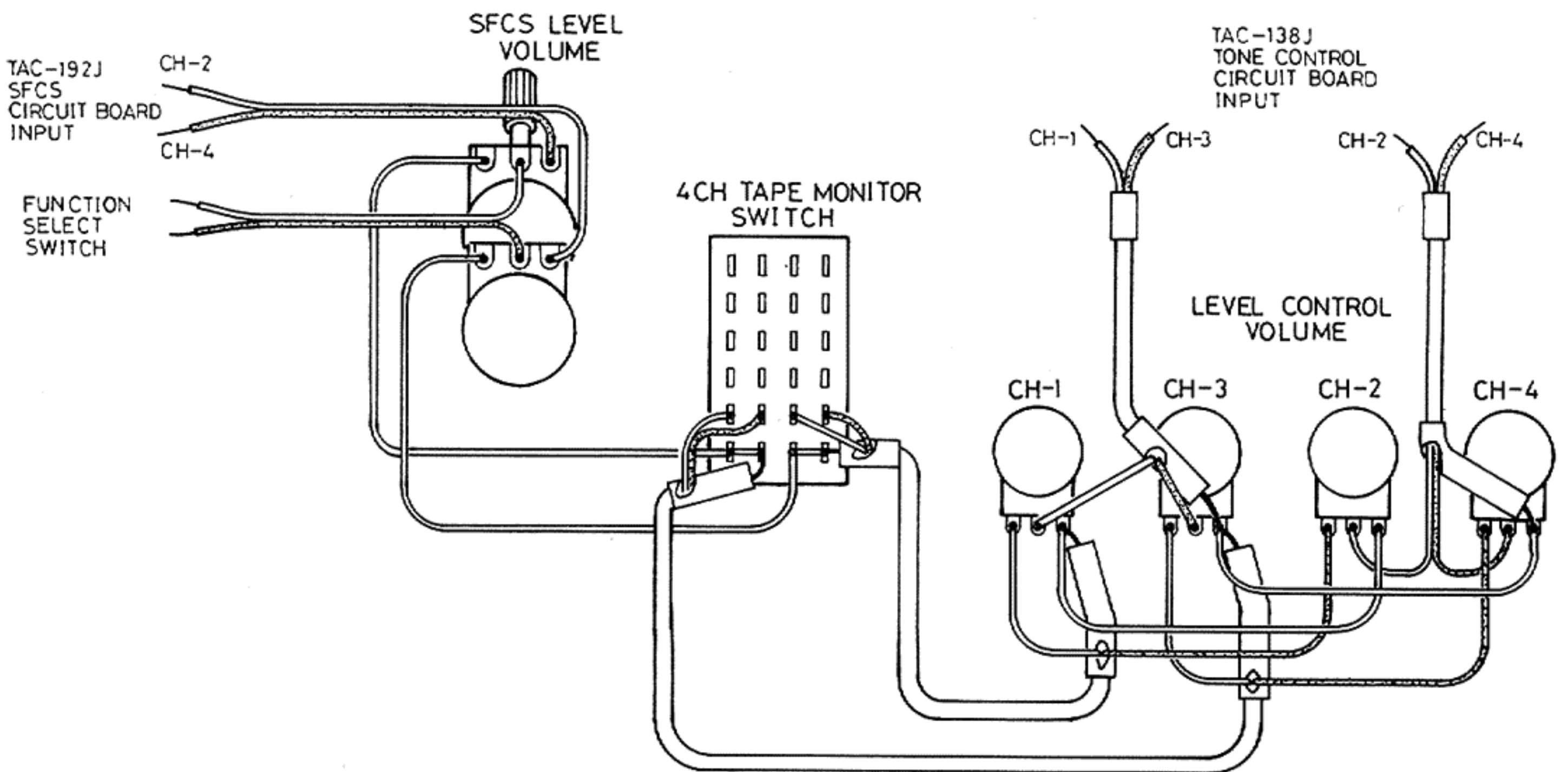
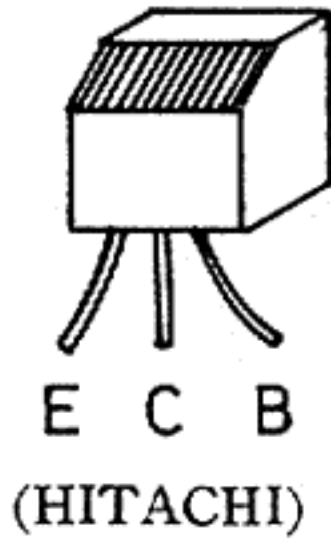


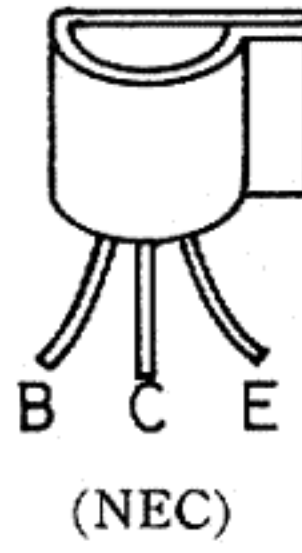
Fig. 30

TRANSISTORS

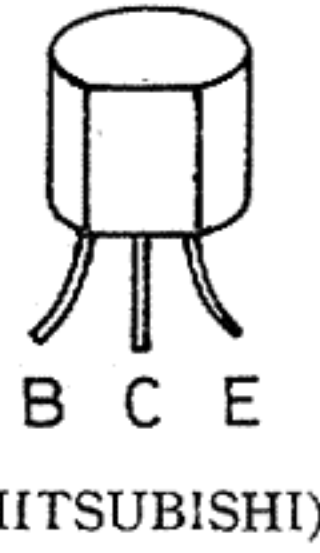
2SA493GR
2SA458ALGC
2SA458LGC
2SA673ABorC
2SC1213ABorC



2SC853L



2SA628A
2SC711A



2SA671 Bor C
2SC1061 B or C



Fig. 31

POWER TRANSFORMER VOLTAGE

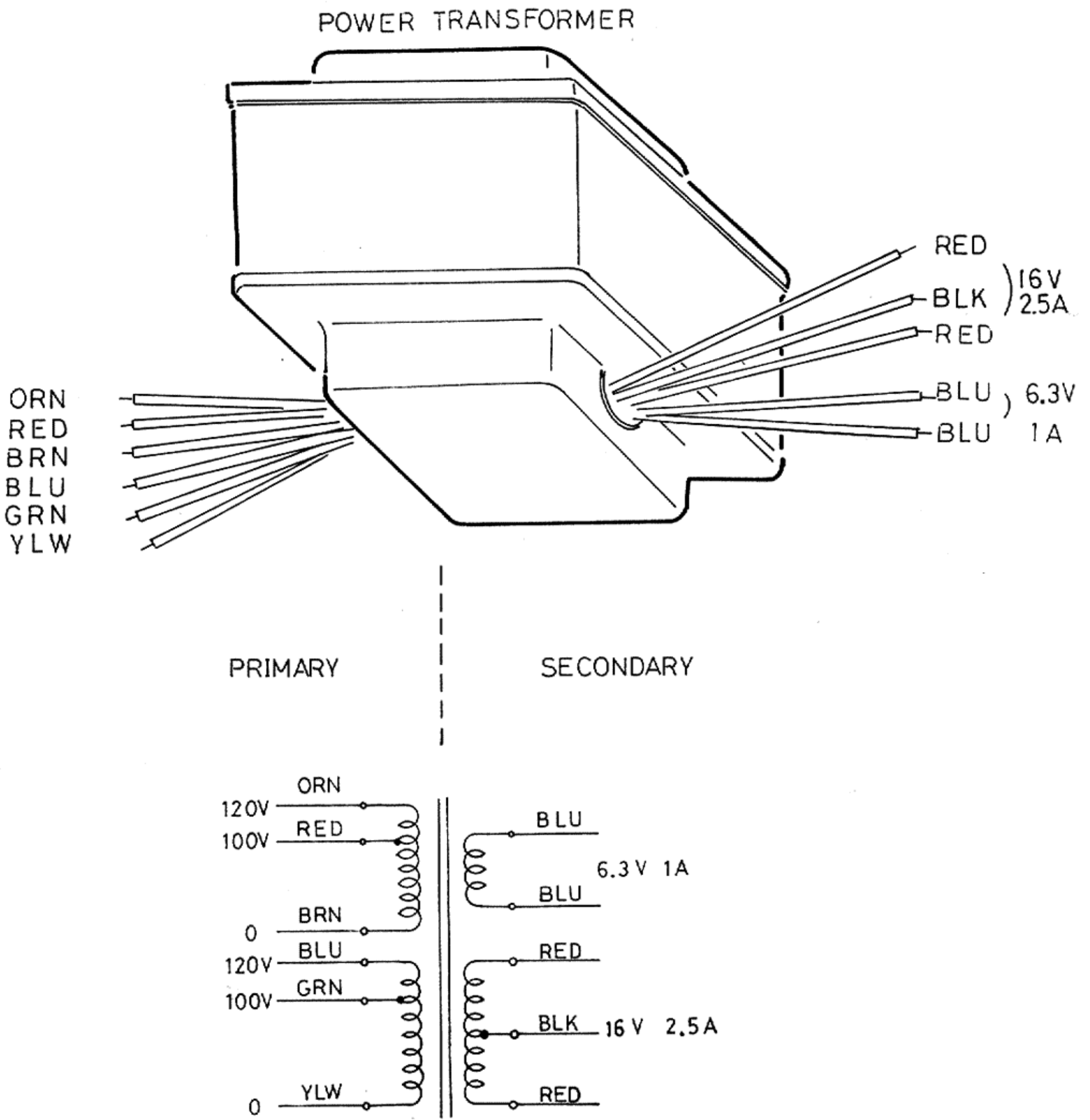


Fig. 32

ACCESSORIES

For JVC	For NIVICO	Parts Name
Parts No.	Parts No.	
E64207-002	E64207-002	Envelope
E64302-002	E64302-002	Service Station List
E32907-052		Fact Tag
E64208-001	E64208-001	Envelope
Q04741-2		Fuse
	04112-2.3	//
	04112-1.2	//
E30580-327A	E30580-335A	Instruction Book
E61103-001	E61103-001	Polyshing Cloth
E64213-002	E32980-002	Warranty Card
E30539-333A	E30539-332A	Schematic Diagram

FINAL PACKING ASS'Y

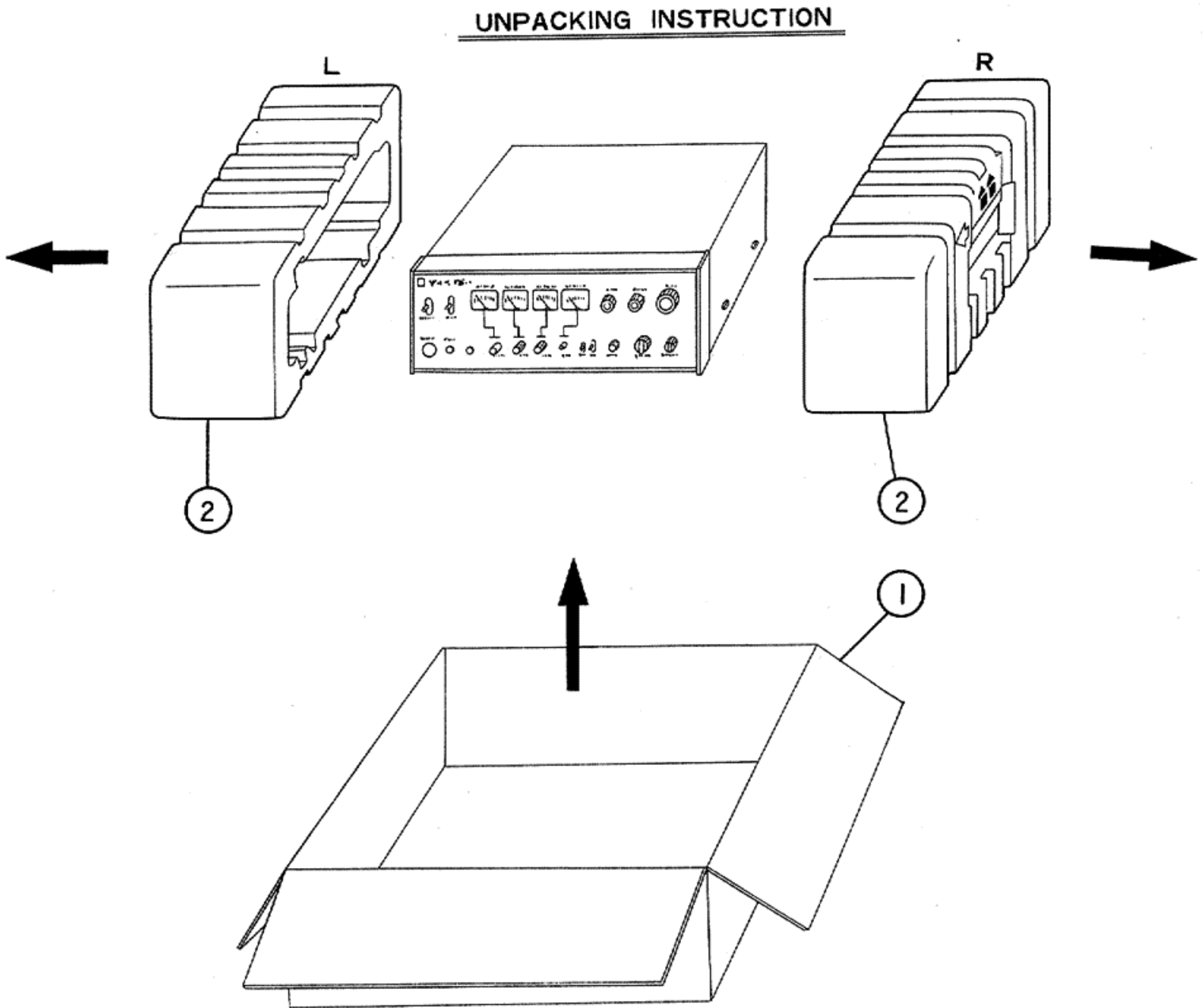


Fig. 33

Ill No.	Parts No.	Parts Name
1	4VN-770-PK	Carton Case
2	4VN-770-NZ	Packing Materials

The List of **JVC NIVICO** Service Manual (Phonograph)

No.	Model	No.	Model	No.	Model	No.	Model	No.	Model
2081	4TR-3U	2091	ARC-30A, 30B	2101	N760ME, N99U	2111(B)	STC-707C (R#-1)	2121	5007
2082	N-55T	2092	4TR-55	2102	SRP-472E	2112	SST-61	2122	L-21M
2083	SRE-103E	2093	{N570, N770 4TR-99u, etc.	2103	SRP-469E	2113	{FRS-103EH.V (R#-2)	2123	ARC-10 Series
2084	N590F, 4TR-590F	2094	STP-7LA	2104	ARC-10L	2114	STP-808C	2124(B)	5003 (Revised)
2085	ARC-40A	2095	TRE-26C	2105	{BLA-203, 308 BLA-304, 30E	2115	SSL-95E	2125	L-311C
2086	TRE-12F	2096	STP-7F	2106	AST-140E	2116	MSL-16T	2126	5204
2087	SRP-367E	2097	N-880 (R#-2)	2107	ARC-12C, E	2117	AST-315E	2127	{4210, 4220, 4230 & (R#-2)
2088	SRP-468E	2098	N-163	2108	CSL-1E	2118	SRC-700U	2128	5305
2089	ECA-101E	2099	4TR-6U	2109	MSL-8E	2119	AST-102E	2129	TRE-12T
2090	STC-19	2100	MSL-15E	2110	SST-31	2120	No. 200E Series	2130	5304

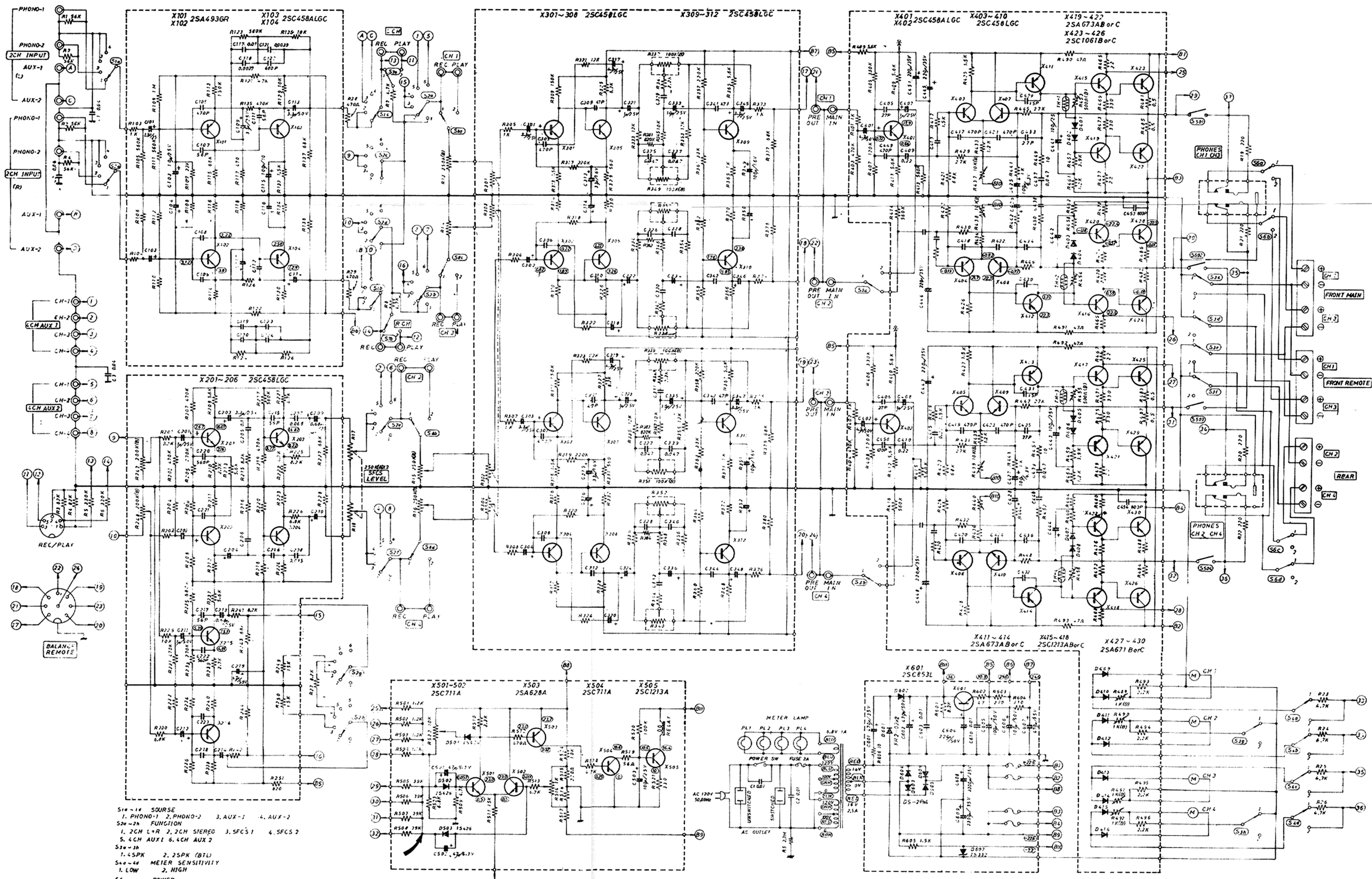
No.	Model	No.	Model	No.	Model	No.	Model	No.	Model
2131	STP-808A	2141	5320, 5340	2151(B)	5040 (R#-2)	2161	4333U	2171	5202
2132	ARC-41, 42	2142	L-311D	2152	{SSL-46E SSL-46EA	2162	MPX-18B	2172	5220
2133	TRE-666C	2143	6102, 6103, 6104	2153	MSL-300ES	2163	MCA-104E	2173	ARC-15A
2134(B)	4TR-990DX (a)	2144	ARC-10	2154	4330	2164	SEA-100E/5100	2174	4344, 4344U
2135	5001	2145	{5011/PST-1000E 5012/MST-1000E	2155	N-404, N-404Y	2165	5240B	2175(B)	4450, 4450U
2136	STP-B30E/5230	2146	5201	2156(B)	MSL-501E	2166	4330U	2176	CSL-130SE
2137	N-65F	2147	MSL-300E	2157	N202, 303	2167	MCA-105E/5107	2177	5020/5020U
2138	4TR-511D, L511D	2148	5310	2158	4211	2168	5030/5030U	2178	MTR-10ME
2139(B)	SRP-B40E/5240	2149	MSL-110S	2159(B)	4333U, 4333	2169	SRC900	2179	5010L
2140	5203	2150	5205	2160	5010	2170	5200	2180	4TR-1000

No.	Model	No.	Model	No.	Model	No.	Model	No.	Model
2181(B)	4400, 4400U	2191	MCM-105E/5111	2201	MSL-201L	2211	BLA-500E	2221	4431U
2182	ARC-50	2192	5395	2202	MSL-201S	2212	MCT-V7E	2222	4310U
2183	MCT-105E/5108	2193	MSL-201E	2203	4431	2213	5306	2223	{N303FYE, N203FY
2184	SCR-500	2194	MCA-V7E	2204	4310	2214	N203/Run No. 2	2224	MCA-104Z
2185	4330M	2195	SRC-800	2205	N-303YE	2215	5250U	2225	{MSL-501E MSL-201E
2186	N-404F Series	2196	5301/GB-2E	2206	5500	2216	5444/5444U	2226	MCP-105E
2187	5335, 5335	2197	5390	2207	5540	2217	5910	2227	MCA-V9E
2188	MSL-501L	2198	5321	2208	MTR-15MF	2218	MCT-V5E	2228	MCA-V5E
2189	MSA-404E	2199	5341/5341K	2209	5550/5550U	2219	5100	2229	ECA-102
2190	N-202FMY	2200	5351/5351K	2210	5351/5351K	2220	{5020/5020U 5030/5030U 5040/5040U	2230	5345

No.	Model	No.	Model	No.	Model	No.	Model	No.	Model
2231	CD4-1E	2241	4344U (R#-2)	2251	VR-5501	2261	VS-5307		
2232	SRP-473E	2242	MS-4431, 4431U	2252	VN-5101	2262	VR-5511		
2233	N-404FMY #3	2243	MF-4410	2253	VS-5308	2263	4DD-10		
2234	SEA-V7E	2244	MF-4451	2254	VS-5332	2264	5911		
2235	MSL-502ES	2245	QSL-F777E	2255	VS-5352	2265	VT-700		
2236	VS-5391	2246	MF-4430	2256	VS-5342	2266	4ME-4801		
2237	VS-5396	2247	4MM-4600	2257	VS-5322	2267	VS-5399		
2238	5520/5520U	2248	VR-5501L	2258	VR-5541	2268	4VN-770		
2239	VR-5521L	2249	VR-5521	2259	VR-5551	2269			
2240	4ME-4800	2250	4VR-5445	2260	4VR-5414	2270			

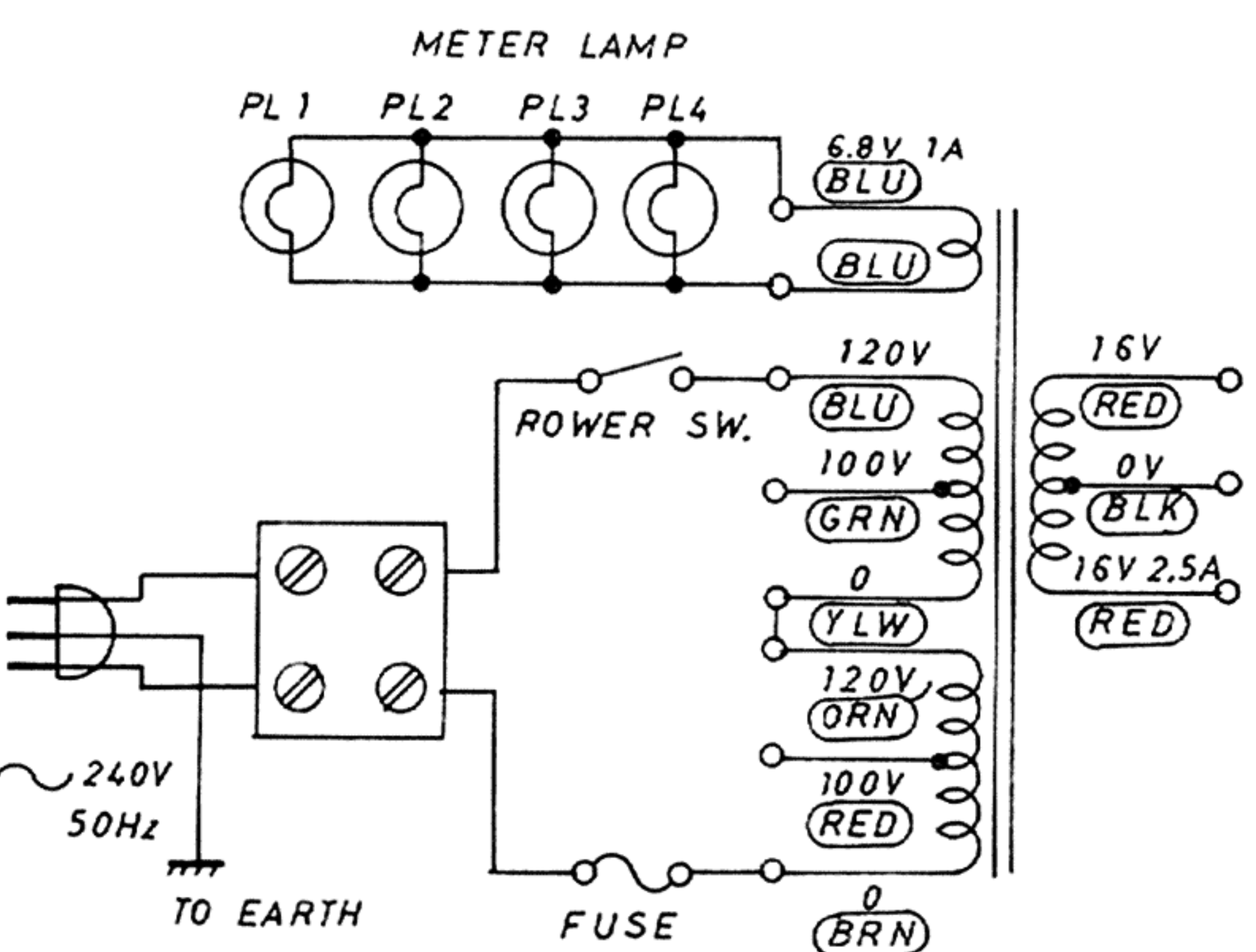
JVC AMERICA, INC.

A subsidiary of
Victor Company of Japan, Limited, Tokyo, Japan
50-35 56th Road, Maspeth, NY, 11378

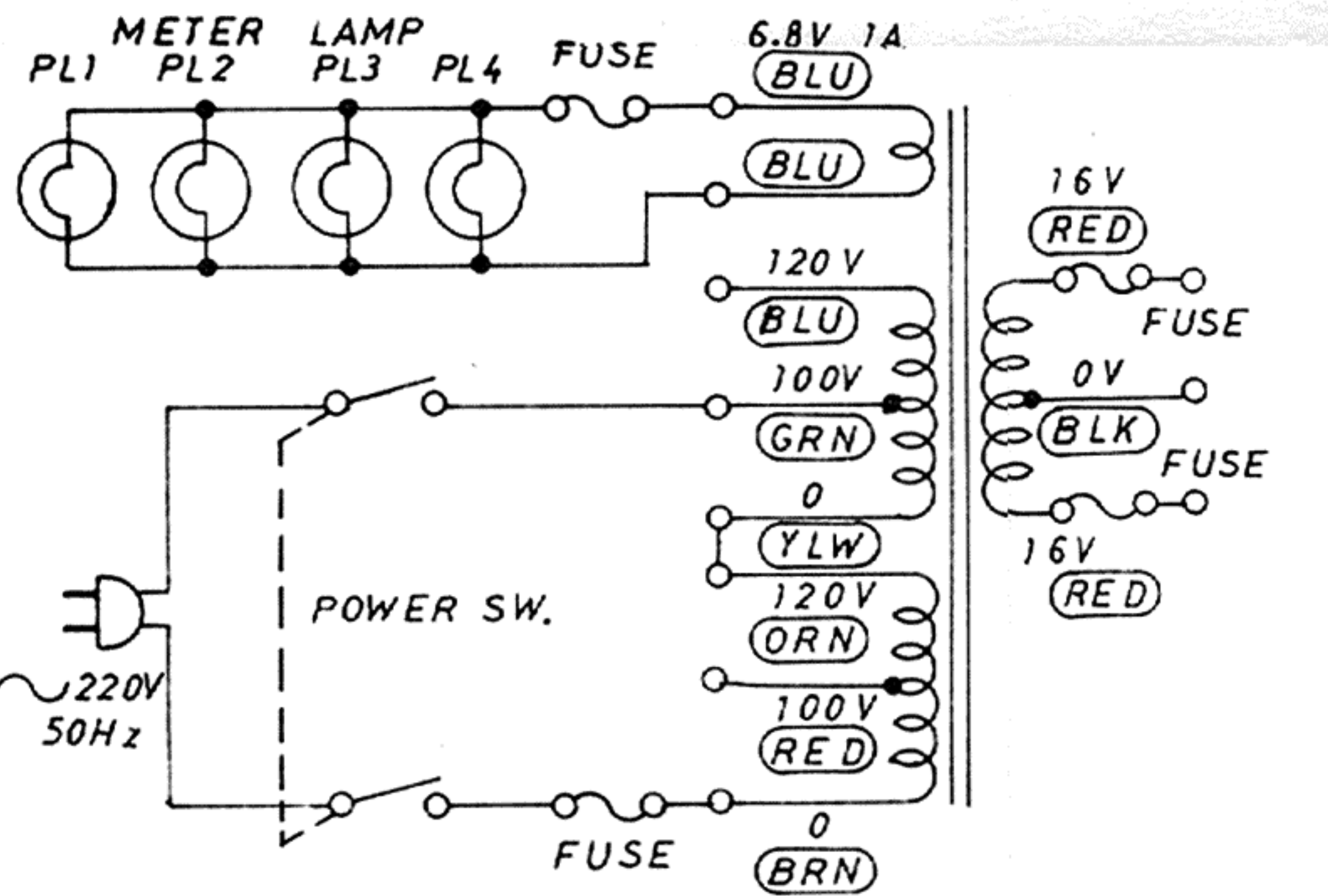


- S14-14 SOURCE
 1. PHONO-1 2. PHONO-2 3. AUX-1 4. AUX-2
 S24-24 FUNCTION
 1. 2CH L+R 2. 2CH STEREO 3. SFC'S 1 4. SFC'S 2
 5. 4CH AUX1 6. 4CH AUX 2
 S34-34
 1. 4SPK 2. 2SPK (BTU)
 S44-44 METER SENSITIVITY
 1. LOW 2. HIGH
 S5 POWER
 S64-64 FRONT SPEAKERS
 1. MAIN 2. REMOTE
 S74-74 2CH TAPE MONITOR SWITCH
 1. OFF 2. ON
 S84-84 4CH TAPE MONITOR SWITCH
 1. OFF 2. ON

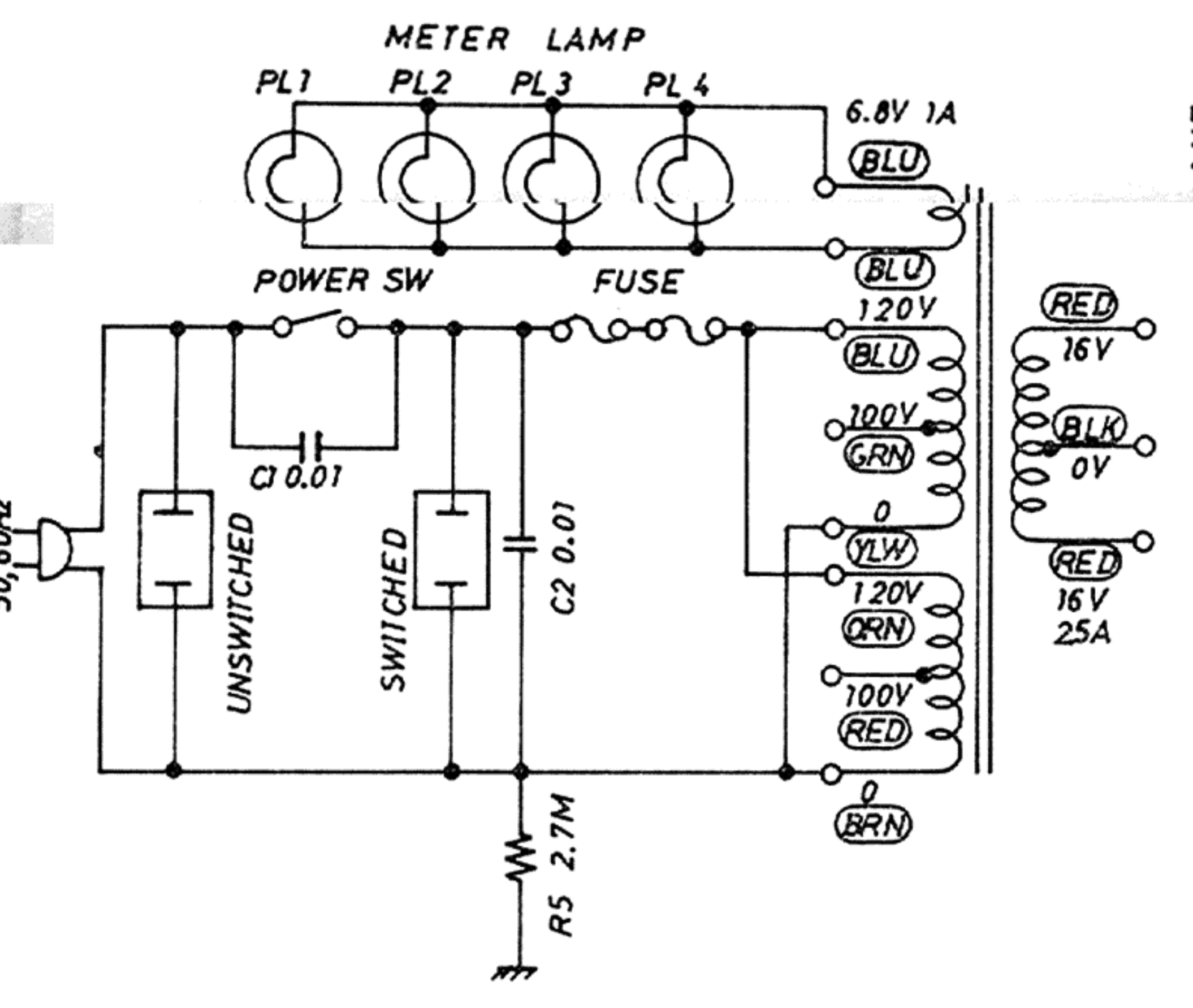
for JVC AMERICA



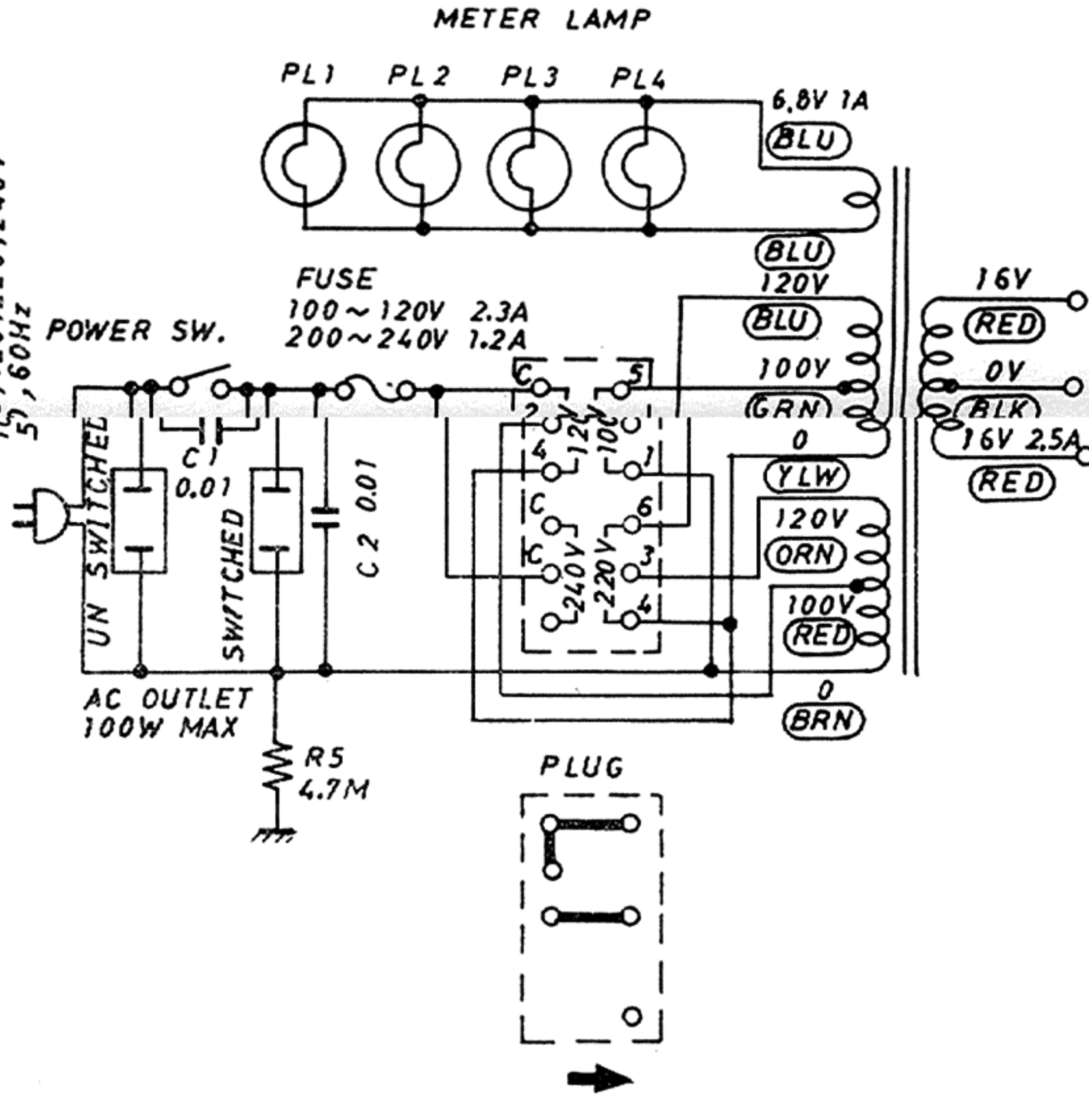
for AUSTRALIA



for EUROPE



for CANADA



for Other Country and U.S. Military Personnel

SCHAMATIC DIAGRAM OF 4VN-770

Subject to change without notice.